

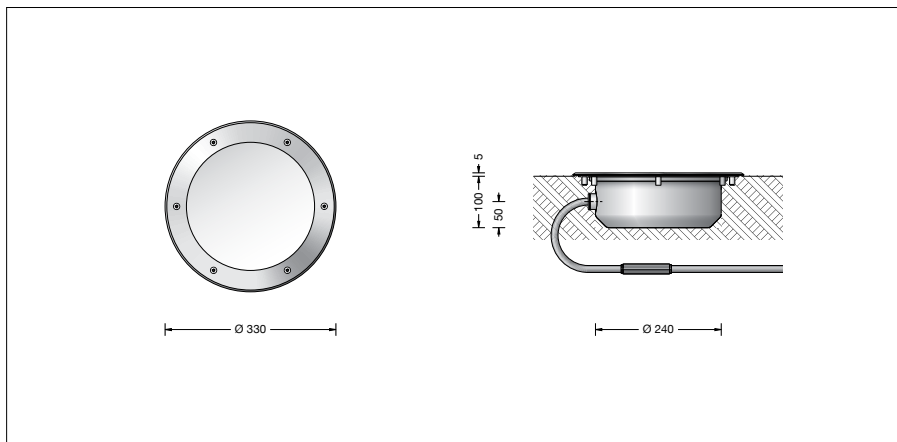
**BEGA****77 058**

In-ground luminaire



Project · Reference number

Date



## Product data sheet

### Application

Recessed LED location luminaire for installation in gravel, lawns, flower beds, or in compacted surfaces. Drive-over luminaire for vehicles with pneumatic tyres.

#### Please note:

Luminaire must not be used for installation in road lanes, where the fixture is exposed to a horizontal strain due to braking, acceleration and change of direction.

For walk-through public areas, we recommend skid-blocking glass – see accessories.

### Product description

Luminaire made of stainless steel  
Steel grade no. 1.4301  
Safety glass, white  
1,8 m water-resistant connecting cable  
H07RN8-F 3G 1,5<sup>□</sup> with implemented water stopper and 1.2 m PVC cable conduit  
LED power supply unit  
220-240 V ~ 0/50-60 Hz  
DC 176-264 V  
Safety class I  
Protection class IP 68 10 m  
Dust-tight and water pressure tight  
Maximum submersion depth 10 m  
Not suitable for permanent operation under water  
Pressure load 2,000 kg (20 kN)  
Impact strength IK10  
Protection against mechanical impacts < 20 joule  
Maximum surface temperature 20 °C (measured according to EN 60598 of  $t_a = 15\text{ °C}$ )  
 – Safety mark  
 – Conformity mark  
Weight: 4.9 kg

### Lamp

Module connected wattage	6.6 W
Luminaire connected wattage	7.7 W
Rated temperature	$t_a = 25\text{ °C}$
Ambient temperature	$t_{a\text{max}} = 45\text{ °C}$
When installed in heat-insulating material	$t_{a\text{max}} = 35\text{ °C}$

On request we can offer you modifications for environments with higher temperatures as a customized product.

#### 77 058 K4

Module designation	LED-0262/940
Colour temperature	4000 K
Colour rendering index	CRI > 90
Module luminous flux	1180 lm
Luminaire luminous flux	407 lm
Luminaire luminous efficiency	52,9 lm/W

#### 77 058 K3

Module designation	LED-0262/930
Colour temperature	3000 K
Colour rendering index	CRI > 90
Module luminous flux	1115 lm
Luminaire luminous flux	384 lm
Luminaire luminous efficiency	49,9 lm/W

#### Service life of the LED

Ambient temperature  $t_a = 25\text{ °C}$   
– at > 500,000h: L70B50

max. ambient temperature  $t_a = 45\text{ °C}$   
– at 330,000h: L70B50

### Inrush current

Inrush current: 11 A / 112  $\mu\text{s}$   
Maximum number of luminaires of this type per miniature circuit breaker:  
B 10A: 34 luminaires  
B 16A: 55 luminaires  
C 10A: 57 luminaires  
C 16A: 92 luminaires

### Light technique

Luminaire data for the light planning program DIALux for outdoor lighting, street lighting and indoor lighting as well as luminaire data in EULUMDAT- and IES-format you will find on the BEGA web page [www.bega.com](http://www.bega.com).

#### Article No. 77 058

LED colour temperature optionally 4000K or 3000K  
4000 K – Article number + **K4**  
3000 K – Article number + **K3**

We supply this luminaire with skid-blocking glass which is denoted by **R** after the article number.

### Accessories

**140258R** Skid-blocking glass  
BEGA skid-blocking glass with the highest rating R 13 according to DIN 51130 can be used without restriction for all public areas. Abrasion resistance according to EN ISO 10545-7 Class 3

#### 70 688 Installation housing

Distribution box for installation in soil

**70 730** Distribution box with 7 cable entries  
Connection terminals 5 x 4<sup>□</sup>

**71 053** Distribution box with 10 cable entries  
Connection terminals 6 x 16<sup>□</sup>

For the accessories a separate instructions for use can be provided upon request.