

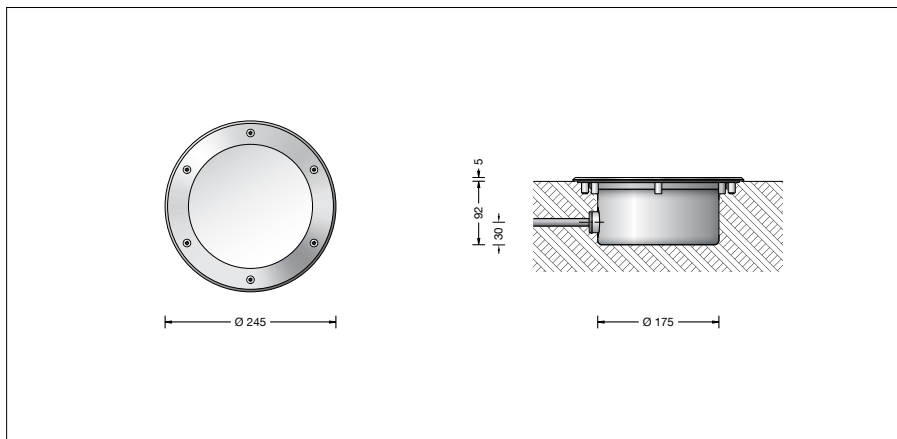
BEGA**77 057**

In-ground luminaire



Project · Reference number

Date



Product data sheet

Application

Recessed LED location luminaire for installation in gravel, lawns, flower beds, or in compacted surfaces. Drive-over luminaire for vehicles with pneumatic tyres.

Please note: Luminaire must not be used for installations in road lanes, where the fixture is exposed to a horizontal strain due to braking, acceleration and change of direction. The minimum distance to illuminated objects above the light distribution opening must be ≥ 0.5 m \parallel .

For walk-through public areas, we recommend skid-blocking glass – see accessories.

Product description

Luminaire made of stainless steel
 Steel grade no. 1.4301
 Safety glass, white
 1,8 m water-resistant connecting cable
 HO7RN8-F 3G1,5[□] with implemented water stopper and 1.2 m PVC cable conduit
 LED power supply unit
 220-240 V \sim 0/50-60 Hz
 DC 176-264 V
 Safety class I
 Protection class IP 68 10 m
 Dust-tight and water pressure tight
 Maximum submersion depth 10 m
 Not suitable for permanent operation under water
 Pressure load 2,000 kg (20 kN)
 Impact strength IK10
 Protection against mechanical impacts < 20 joule
 Maximum surface temperature 25 °C
 (measured according to EN 60598 of t_a 15 °C)
 – Safety mark
 – Conformity mark
 Weight: 3.0 kg

Lamp

Module connected wattage	3.7 W
Luminaire connected wattage	4.8 W
Rated temperature	$t_a = 25$ °C
Ambient temperature	$t_{a,max} = 50$ °C
When installed in heat-insulating material	$t_{a,max} = 45$ °C

77 057 K4

Module designation	LED-0634/840
Colour temperature	4000 K
Colour rendering index	CRI > 80
Module luminous flux	810 lm
Luminaire luminous flux	181 lm
Luminaire luminous efficiency	37,7 lm/W

77 057 K3

Module designation	LED-0634/830
Colour temperature	3000 K
Colour rendering index	CRI > 80
Module luminous flux	780 lm
Luminaire luminous flux	175 lm
Luminaire luminous efficiency	36,5 lm/W

Service life of the LED

Ambient temperature $t_a = 25$ °C
 – at > 500,000h: L70B50

max. ambient temperature $t_a = 50$ °C
 – at 213,000h: L70B50

Light technique

Luminaire data for the light planning program DIALux for outdoor lighting, street lighting and indoor lighting as well as luminaire data in EULUMDAT- and IES-format you will find on the BEGA web page www.bega.com.

Inrush current

Inrush current: 7 A / 112 μ s
 Maximum number of luminaires of this type per miniature circuit breaker:
 B 10A: 38 luminaires
 B 16A: 61 luminaires
 C 10A: 64 luminaires
 C 16A: 102 luminaires

Article No. 77 057

LED colour temperature optionally 4000 K or 3000 K

4000 K – Article number + **K4**
 3000 K – Article number + **K3**

We supply this luminaire with skid-blocking glass which is denoted by **R** after the article number.

Accessories

14000257R Skid-blocking glass
 BEGA skid-blocking glass with the highest rating R 13 according to DIN 51130 can be used without restriction for all public areas. Abrasion resistance according to EN ISO 10545-7 Class 3

70 687 Installation housing

Distribution box for installation in soil

70 730 Distribution box with 7 cable entries
 Connection terminals 5 x 4[□]

71 053 Distribution box with 10 cable entries
 Connection terminals 6 x 16[□]

For the accessories a separate instructions for use can be provided upon request.