

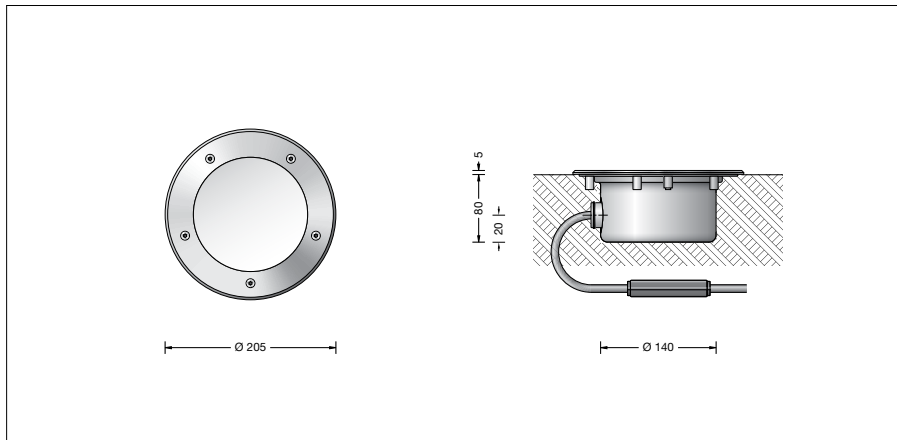
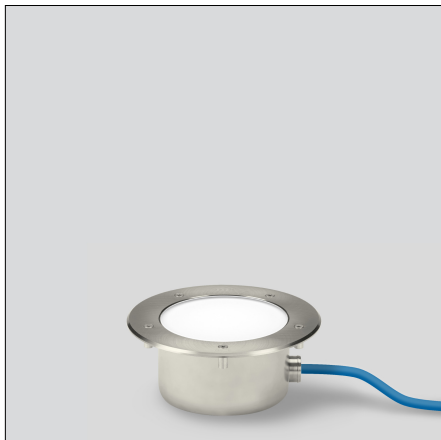
BEGA**77 056**

In-ground luminaire



Project · Reference number

Date



Product data sheet

Application

Recessed LED location luminaire for installation in gravel, lawns, flower beds, or in compacted surfaces. Drive-over luminaire for vehicles with pneumatic tyres.

Please note: Luminaire must not be used for installations in road lanes, where the fixture is exposed to a horizontal strain due to braking, acceleration and change of direction. The minimum distance to illuminated objects above the light distribution opening must be ≥ 0.5 m

We recommend skid-blocking glass for walk-over public areas – see accessories.

Product description

Luminaire made of stainless steel
Steel grade no. 1.4301
Safety glass, white
1,8 m water-resistant connecting cable
HO7RN8-F 3G1,5[□] with implemented water stopper and 1.2 m PVC cable conduit
LED power supply unit
220-240 V 0/50-60 Hz
DC 176-264 V
Safety class I
Protection class IP 68 10 m
Dust-tight and water pressure tight
Maximum submersion depth 10 m
Pressure load 2,000 kg (20 kN)
Impact strength IK10
Protection against mechanical impacts < 20 joule
Maximum surface temperature 25 °C
(measured according to EN 60598 of $t_a = 15$ °C)
 – Safety mark
CE – Conformity mark
Weight: 2.2 kg

Lamp

Module connected wattage	3 W
Luminaire connected wattage	4.1 W
Rated temperature	$t_a = 25$ °C
Ambient temperature	$t_{a \max} = 50$ °C
When installed in heat-insulating material	$t_{a \max} = 35$ °C

On request we can offer you modifications for environments with higher temperatures as a customized product.

77 056 K4

Module designation	LED-0291/840
Colour temperature	4000 K
Colour rendering index	CRI > 80
Module luminous flux	535 lm
Luminaire luminous flux	110 lm
Luminaire luminous efficiency	26,8 lm/W

77 056 K3

Module designation	LED-0291/830
Colour temperature	3000 K
Colour rendering index	CRI > 80
Module luminous flux	525 lm
Luminaire luminous flux	107 lm
Luminaire luminous efficiency	26,1 lm/W

Lifetime of the LED

Ambient temperature $t_a = 15$ °C
– at 50,000h: L90B10
– at > 500,000h: L70B50

Ambient temperature $t_a = 25$ °C
– at 50,000h: L90B10
– at 460,000h: L70B50

max. ambient temperature $t_a = 50$ °C
– at 50,000h: L80B10
– at 245,000h: L70B50

Inrush current

Inrush current: 7 A / 112 μ s
Maximum number of luminaires of this type per miniature circuit breaker:
B 10A: 38 luminaires
B 16A: 61 luminaires
C 10A: 64 luminaires
C 16A: 102 luminaires

Light technique

Luminaire data for the light planning program DIALux for outdoor lighting, street lighting and indoor lighting as well as luminaire data in EULUMDAT- and IES-format you will find on the BEGA web page www.bega.com.

Article No. 77 056

LED colour temperature optionally 4000 K or 3000 K
4000 K – Article number + **K4**
3000 K – Article number + **K3**

We supply this luminaire with skid-blocking glass which is denoted by **R** after the article number.

Accessories

14000653R Skid-blocking glass
BEGA skid-blocking glass with the highest rating R 13 according to DIN 51130 can be used without restriction for all public areas. Abrasion resistance according to EN ISO 10545-7 Class 3

70 680 Installation housing

Distribution box for installation in soil
70 730 Distribution box with 7 cable entries
Connection terminals 5 x 4[□]

71 053 Distribution box with 10 cable entries
Connection terminals 6 x 16[□]

For the accessories a separate instructions for use can be provided upon request.