

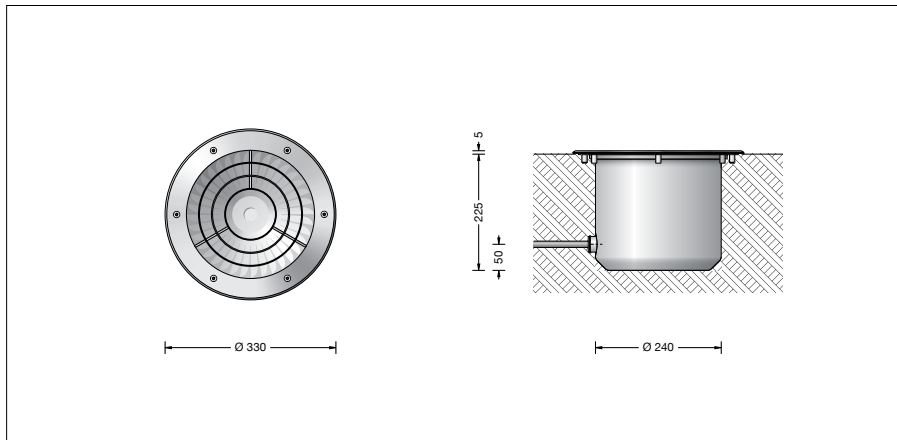
BEGA**77 040**

In-ground luminaire



Project · Reference number

Date



Product data sheet

Application

LED in-ground floodlight with symmetrical light distribution for embedding in gravel, lawns, flower beds, or in compacted surfaces.
Drive-over luminaire for vehicles with pneumatic tyres.

Please note:

Luminaire must not be used for installation in road lanes, where the fixture is exposed to a horizontal strain due to braking, acceleration and change of direction.
For walk-through public areas, we recommend skid-blocking glass – see accessories.

Product description

Luminaire made of stainless steel
Steel grade no. 1.4301
Clear safety glass
Inlying ring louvre made of aluminium
Reflector made of pure anodised aluminium
1,8 m water-resistant connecting cable
07RN8-F 5G 1[□] with implemented water stopper and 1.2 m PVC cable conduit
LED power supply unit
220-240 V ~ 0/50-60 Hz
DC 170-276 V
DALI controllable
A basic isolation exists between power cable and control line
Safety class I
Protection class IP 68 10 m
Dust-tight and water pressure tight
Maximum submersion depth 10 m
Not suitable for permanent operation under water
Pressure load 2,000 kg (20 kN)
Impact strength IK10
Protection against mechanical impacts < 20 joule
Maximum surface temperature 40 °C
(measured according to EN 60598 of ta 15 °C)
CE – Conformity mark
10 6E – Safety mark
Weight: 6.8 kg

Lamp

Module connected wattage 35.7 W
Luminaire connected wattage 39.7 W
Rated temperature $t_a = 25$ °C
Ambient temperature $t_{a \max} = 30$ °C

On request we can offer you modifications for environments with higher temperatures as a customized product.

77 040 K4

Module designation LED-0785/840
Colour temperature 4000 K
Colour rendering index CRI > 80
Module luminous flux 6165 lm
Luminaire luminous flux 2157 lm
Luminaire luminous efficiency 54,3 lm/W

77 040 R K4

Module designation LED-0785/840
Colour temperature 4000 K
Colour rendering index CRI > 80
Module luminous flux 6165 lm
Luminaire luminous flux 1535 lm
Luminaire luminous efficiency 38,7 lm/W

77 040 K3

Module designation LED-0785/830
Colour temperature 3000 K
Colour rendering index CRI > 80
Module luminous flux 6010 lm
Luminaire luminous flux 2103 lm
Luminaire luminous efficiency 53 lm/W

77 040 R K3

Module designation LED-0785/830
Colour temperature 3000 K
Colour rendering index CRI > 80
Module luminous flux 6010 lm
Luminaire luminous flux 1466 lm
Luminaire luminous efficiency 36,9 lm/W

Service life of the LED

Ambient temperature $t_a = 25$ °C
– at 170,000 h: L70 B50

max. ambient temperature $t_a = 30$ °C
– at 150,000 h: L70 B50

Lighting technology

Half beam angle 15°
Luminaire data for the light planning program DIALux for outdoor lighting, street lighting and interior lighting as well as luminaire data in EULUMDAT and IES format are available on our website www.bega.com.

Inrush current

Inrush current: 20 A / 400 μs
Maximum number of luminaires of this type per miniature circuit breaker:
B 10A: 9 luminaires
B 16A: 15 luminaires
C 10A: 16 luminaires
C 16A: 25 luminaires

Article No. 77 040

LED colour temperature optionally 4000K or 3000K
4000 K – Article number + **K4**
3000 K – Article number + **K3**

We supply this luminaire with skid-blocking glass which is denoted by **R** after the article number.

Accessories

14000233R Skid-blocking glass
BEGA skid-blocking glass with the highest rating R 13 according to DIN 51130 can be used without restriction for all public areas.
Abrasion resistance according to EN ISO 10545-7 Class 3

70 688 Installation housing made of stainless steel

Distribution box for installation in soil
70 730 Distribution box with 7 cable entries
Connection terminals 5 x 4[□]

71 053 Distribution box with 10 cable entries
Connection terminals 6 x 16[□]

For the accessories a separate instructions for use can be provided upon request.

Light distribution

