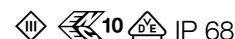


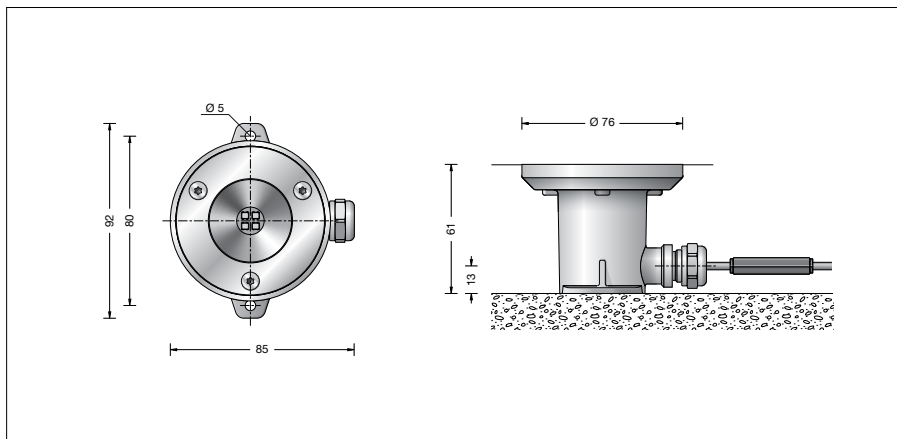
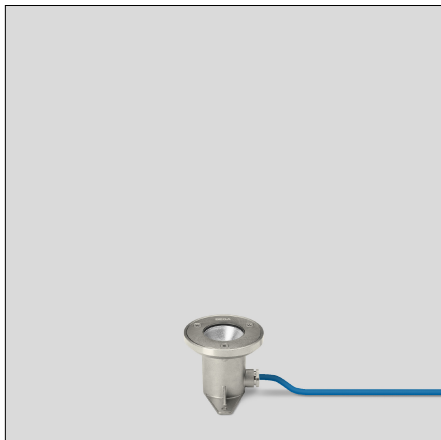
BEGA**77 017**

In-ground luminaire



Project · Reference number

Date



Product data sheet

Application

LED floodlight with symmetrical light distribution. For recessed mounting in compacted surfaces, paths and places. Drive-over luminaire for vehicles with pneumatic tyres.

Please note:

Luminaire must not be used for installation in road lanes, where the fixture is exposed to a horizontal strain due to braking, acceleration and change of direction.

Product description

Cover ring Luminaire housing made of stainless steel and cast stainless steel
Steel grade number 1.4301
Clear safety glass
Silicone gasket
Reflector made of pure anodised aluminium
2 mounting holes \varnothing 5 mm
Distance apart 80 mm
1,8 m water-resistant connecting cable
05RN8-F $2 \times 1^{\square}$ with implemented water stopper and 1.2 m PVC cable conduit
Safety class III \diamond
Protection class IP 68 10 m
Dust-tight and water pressure tight
Maximum submersion depth 10 m
Not suitable for permanent operation under water
Pressure load 2,000 kg (20 kN)
Impact strength IK10
Protection against mechanical impacts < 20 joule
Maximum surface temperature 25 °C (measured according to EN 60598 of t_a 15 °C)
 – Safety mark
 – Conformity mark
Weight: 0.6 kg

Lamp

Module connected wattage 1.2 W
Luminaire connected wattage 1.5 W
Rated temperature $t_a = 25$ °C
Ambient temperature $t_{a,max} = 70$ °C
When installed in heat-insulating material $t_{a,max} = 55$ °C
Voltage 24 V = DC

77 017 K4

Module designation LED-0268/840
Colour temperature 4000 K
Colour rendering index CRI > 80
Module luminous flux 225 lm
Luminaire luminous flux 142 lm
Luminaire luminous efficiency 94,7 lm/W

77 017 K3

Module designation LED-0268/830
Colour temperature 3000 K
Colour rendering index CRI > 80
Module luminous flux 220 lm
Luminaire luminous flux 139 lm
Luminaire luminous efficiency 92,7 lm/W

Service life of the LED

Ambient temperature $t_a = 25$ °C
– at > 500,000 h: L70B50

max. ambient temperature $t_a = 70$ °C
– at 96,000 h: L70B50

Lighting technology

Half beam angle 44°
Luminaire data for the light planning program DIALux for outdoor lighting, street lighting and interior lighting as well as luminaire data in EULUMDAT and IES format are available on our website www.bega.com.

Article No. 77 017

LED colour temperature optionally 4000K or 3000K
4000 K – Article number + **K4**
3000 K – Article number + **K3**

Accessories

Power supply unit for LED luminaires 24 V DC
Safety transformer according to
DIN EN 61558/VDE 0570 part 2-6

70 564 Power supply unit for 0-15 W
70 465 Power supply unit for 0-25 W
70 565 Power supply unit for 0-35 W
70 566 Power supply unit for 0-50 W
70 567 Power supply unit for 0-75 W
70 169 Power supply unit for 0-150 W
230 V \sim 50-60 Hz

70 114 Power supply unit for 0-42 W
AC range: AC: 110-264 V \sim 50-60 Hz
DC range: DC: 170-280 V

The power supply units are also suitable for the operation of several LED luminaires. In this case, the maximum wattage of the power supply unit must not be exceeded.

A separate instructions for use can be provided upon request.

70 730 Distribution box

The distribution box is meant for installation in the soil and allows a junction from the supply cable to the luminaire and through-wiring to the next luminaire.

After the electrical connection the distribution box is filled up with gel and closed.

Light distribution

