

BEGA**67 480.2**

Table lamp for indoor use

Project · Reference number

Date

Product data sheet**Application**

Table lamp · indoor luminaire made of metal base and hand-blown opal glass for free radiating and glare-free light.

Product description

Stainless steel fitter + graphite-black

Hand-blown opal glass

Black cable · 2000 mm

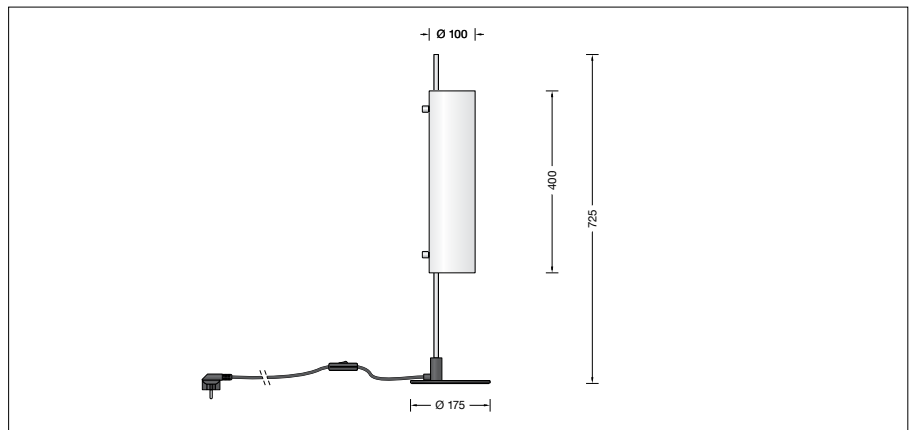
Wiring set with switch

Lampholder E 27

Safety class I

CE – Conformity mark

Weight: 2.1 kg

**Lamp**

Luminaire with lampholder E 27

Lamp wattage max. 75 W

High voltage tungsten halogen lamp

QT 32 · 70 W · E 27

Osram: Halolux Ceram Eco 70 W 1180 lm

Article-No.: 64400

Please note the lamp manufacturers' operating instructions.