

**BEGA****56 625.2**

Large-area pendant luminaire for indoor use



Project · Reference number



Date

## Product data sheet

### Application

LED large-area pendant luminaire with optical system for glare-free lighting in the workplace. Aluminium luminaire housing and canopy with steel wire suspension.

### Product description

Luminaire housing and canopy made of aluminium  
 Luminaire housing matt anodised with all-round, matt black trim strip  
 Optical system as a layered structure of micro-structured and light-directing reflection levels  
 Glare suppression according to DIN EN 12464-1  
 Transparent flex suspension 2 × 0,5 □  
 Steel wire suspension  
 Overall length of luminaire approx. 2000 mm  
 Connection terminal 2.5 □  
 Earth conductor connection  
 2-pole connecting terminal for digital control  
 LED power supply unit  
 220-240 V ~ 0/50-60 Hz  
 DALI controllable  
 A basic isolation exists between power cable and control line  
 Safety class I  
 – Safety mark  
 – Conformity mark  
 Weight: 12.0 kg

### Light technique

Luminaire data for the light planning program DIALux for outdoor lighting, street lighting and indoor lighting as well as luminaire data in EULUMDAT- and IES-format you will find on the BEGA web page [www.bega.com](http://www.bega.com).

### Lamp

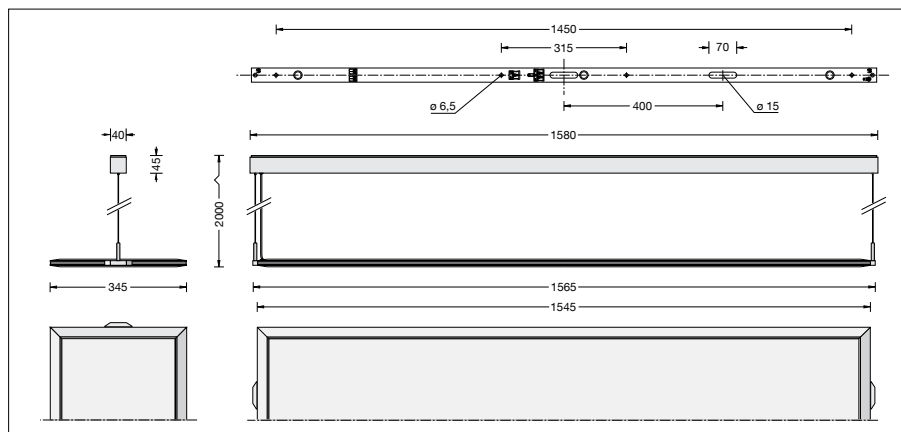
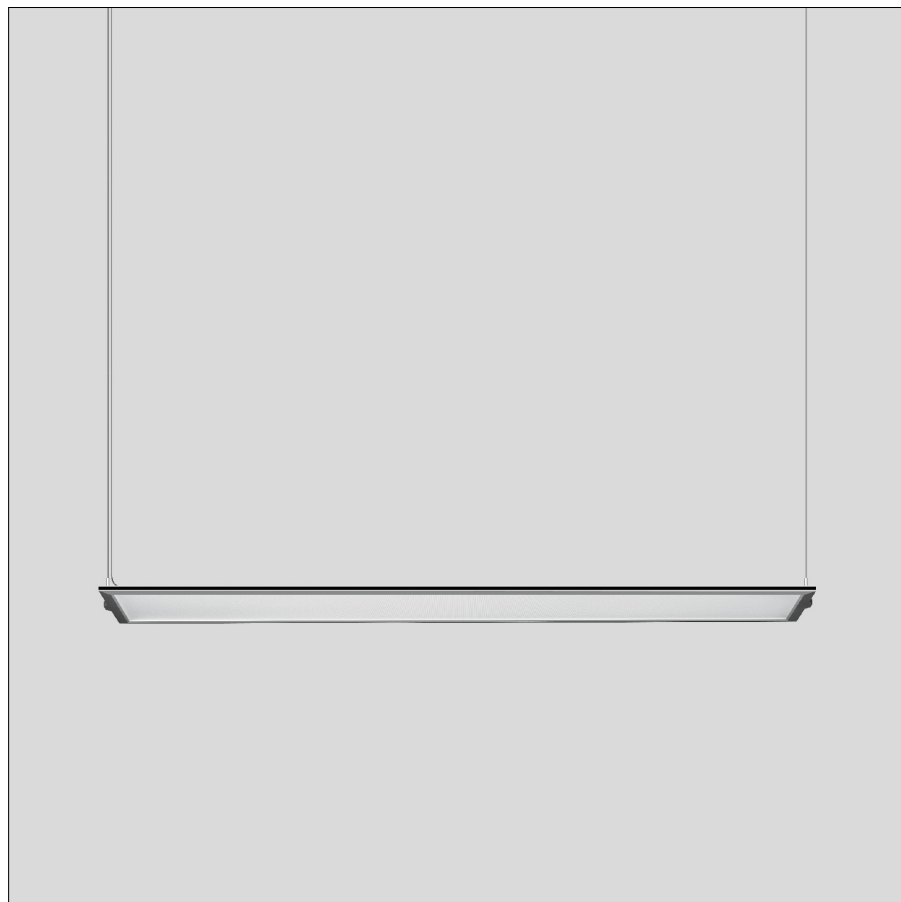
Module connected wattage	52.6 W
Luminaire connected wattage	60 W
Rated temperature	$t_a = 25\text{ °C}$
Ambient temperature	$t_{a\text{ max}} = 55\text{ °C}$

### 56 625.2 K3

Module designation	LED-0618/930 + LED-0619/930
Colour temperature	3000 K
Colour rendering index	CRI > 90
Module luminous flux	8040 lm
Luminaire luminous flux	5962 lm
Luminaire luminous efficiency	99,4 lm/W

### 56 625.2 K4

Module designation	LED-0618/940 + LED-0619/940
Colour temperature	4000 K
Colour rendering index	CRI > 90
Module luminous flux	8640 lm
Luminaire luminous flux	6406 lm
Luminaire luminous efficiency	106,8 lm/W



### Service life of the LED

Ambient temperature  $t_a = 25\text{ °C}$   
 – at > 500,000h: L 70 B 50  
 max. ambient temperature  $t_a = 55\text{ °C}$   
 – at > 500,000h: L 70 B 50

### Article No. 56 625.2

LED colour temperature optionally 3000 K or 4000 K  
 3000 K – Article number + **K3**  
 4000 K – Article number + **K4**