

**BEGA****56 624.2**

Large-area pendant luminaire for indoor use



Project · Reference number

Date

## Product data sheet

### Application

LED large-area pendant luminaire · indoor luminaire with optical system. With direct and indirect light, for glare-free lighting in the workplace.

Aluminium luminaire housing and canopy with steel wire suspension.

### Product description

Luminaire housing and canopy made of aluminium, silver matt enamel finish

Luminaire housing with all-round, matt black trim strip

Optical system as a layered structure of micro-structured and light-directing reflection levels

Luminous flux ratio, direct approx. 70 %;

indirect approx. 30 %

Glare suppression according to

DIN EN 12464-1

Black flex suspension 2 × 0,5 □

steel wire suspension

Overall length of luminaire approx. 2000 mm

Connection terminal 2.5 □

Earth conductor connection

2-pole connecting terminal for

digital control


LED power supply unit

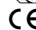
220-240 V ~ 0/50-60 Hz

DALI controllable

A basic isolation exists between power cable and control line

Safety class I

 – Safety mark

 – Conformity mark

Weight: 12.0 kg

### Lamp

Module connected wattage 52.6 W

Luminaire connected wattage 60 W

Rated temperature  $t_a = 25\text{ °C}$

Ambient temperature  $t_{a\text{ max}} = 55\text{ °C}$

### 56 624.2 K3

Module designation

LED-0618/930 + LED-0619/930

Colour temperature 3000 K

Colour rendering index CRI > 90

Module luminous flux 8040 lm

Luminaire luminous flux 7008 lm

Luminaire luminous efficiency 116,8 lm/W

### 56 624.2 K4

Module designation

LED-0618/940 + LED-0619/940

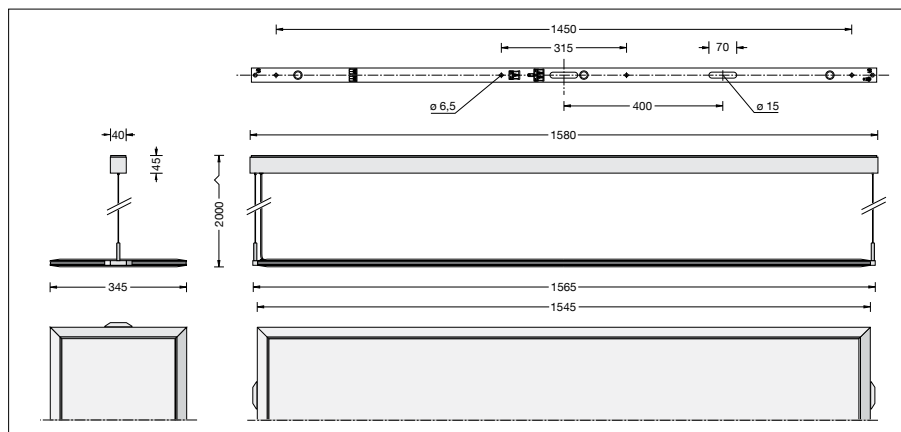
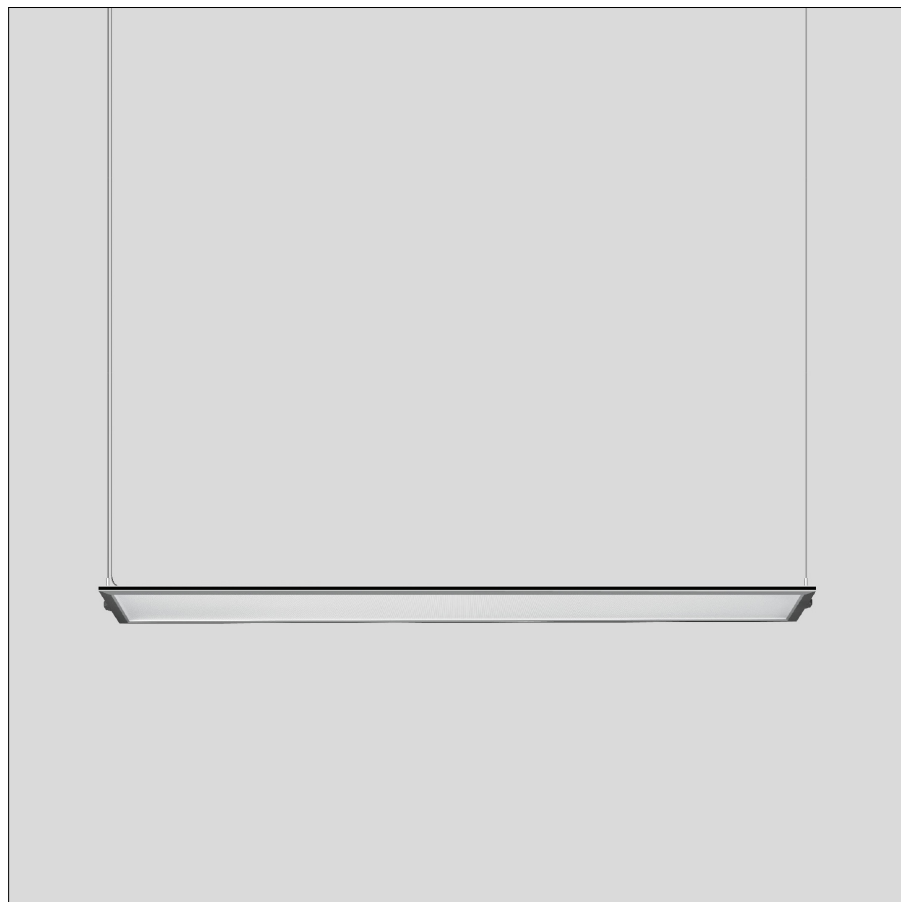
Colour temperature 4000 K

Colour rendering index CRI > 90

Module luminous flux 8640 lm

Luminaire luminous flux 7530 lm

Luminaire luminous efficiency 125,5 lm/W



### Service life of the LED

Ambient temperature  $t_a = 25\text{ °C}$

– at > 500,000h: L 70 B 50

max. ambient temperature  $t_a = 55\text{ °C}$

– at > 500,000h: L 70 B 50

### Article No. 56 624.2

LED colour temperature optionally 3000 K or 4000 K

3000 K – Article number + **K3**

4000 K – Article number + **K4**