

**BEGA****56 582.3**

Pendant luminaire for indoor use



Project · Reference number

Date

## Product data sheet

### Application

Pendant luminaire · indoor luminaire for free-radiating and uniform light made of hand-blown opal glass, satin matt. Metal luminaire housing.

### Product description

Metal luminaire housing,  
finish polished aluminium  
Hand-blown opal glass,  
satin matt, with screw neck  
Mounting plate with 2 fixing  
holes  $\varnothing$  4.5 mm · 50 mm spacing  
Black flex suspension  $5 \times 0,75$  □  
with 1 steel messenger wire  
Overall length of luminaire approx. 4000 mm  
Connection terminal 2.5 □  
Earth conductor connection  
2-pole connecting terminal for  
digital control  
LED power supply unit  
220-240 V  $\sim$  0/50-60 Hz  
DC 170-276 V  
DALI controllable  
A basic isolation exists between power cable  
and control line  
Safety class I  
 – Safety mark  
 – Conformity mark  
Weight: 5.6 kg

### Inrush current

Inrush current: 20 A / 400  $\mu$ s  
Maximum number of luminaires of this  
type per miniature circuit breaker:  
B 10A: 9 luminaires  
B 16A: 15 luminaires  
C 10A: 16 luminaires  
C 16A: 25 luminaires

### Light technique

Luminaire data for the light planning program  
DIALux for outdoor lighting, street lighting and  
indoor lighting as well as luminaire data in  
EULUMDAT- and IES-format you will find on the  
BEGA web page [www.bega.com](http://www.bega.com).

### Lamp

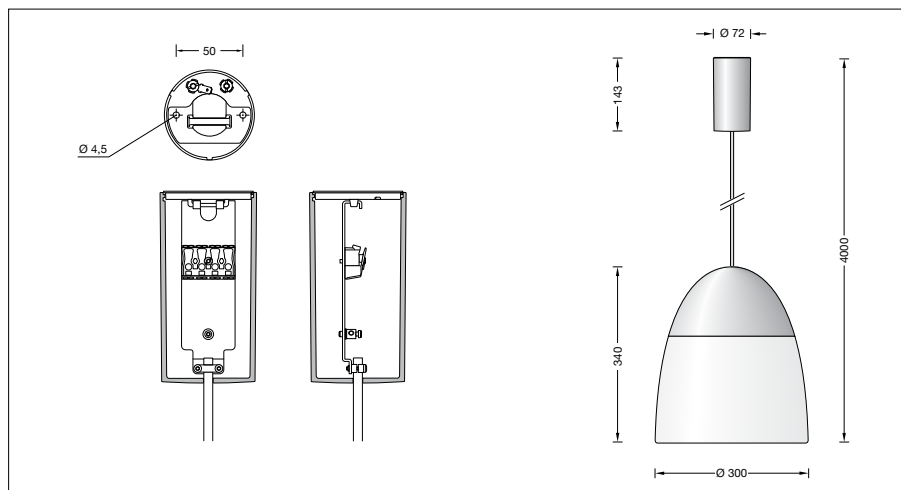
|                             |                      |
|-----------------------------|----------------------|
| Module connected wattage    | 36.3 W               |
| Luminaire connected wattage | 39.5 W               |
| Rated temperature           | $t_a = 25$ °C        |
| Ambient temperature         | $t_{a \max} = 40$ °C |

### 56 582.3 K3

|                               |              |
|-------------------------------|--------------|
| Module designation            | LED-0495/930 |
| Colour temperature            | 3000 K       |
| Colour rendering index        | CRI > 90     |
| Module luminous flux          | 4920 lm      |
| Luminaire luminous flux       | 3694 lm      |
| Luminaire luminous efficiency | 93,5 lm/W    |

### 56 582.3 K4

|                               |              |
|-------------------------------|--------------|
| Module designation            | LED-0495/940 |
| Colour temperature            | 4000 K       |
| Colour rendering index        | CRI > 90     |
| Module luminous flux          | 5065 lm      |
| Luminaire luminous flux       | 3802 lm      |
| Luminaire luminous efficiency | 96,3 lm/W    |



### Service life of the LED

Ambient temperature  $t_a = 25$  °C  
– at 290,000h: L70 B50

max. ambient temperature  $t_a = 40$  °C  
– at 190,000h: L70 B50

### Article No. 56 582.3

LED colour temperature optionally 3000K  
or 4000K

3000 K – Article number + **K3**  
4000 K – Article number + **K4**

### Optional finishes

- White enamel with code number **.1**
- Stainless steel with code number **.2**
- Polished aluminium with code number **.3**