

BEGA**56 581.3**

Pendant luminaire for indoor use



Project · Reference number

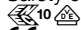
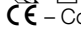
Date

Product data sheet

Application

Pendant luminaire · indoor luminaire with hand-blown crystal glass and metal housing.
A focusing / dispersing lens bundles the powerful LED-light in the centre of the reflector for a direct proportion of downlight. At the same time, a proportion of the dispersed light is used to illuminate the luminaire glass and to generate the vertical illuminance.

Product description

Metal luminaire housing,
finish polished aluminium
Hand-blown crystal glass, with screw-neck
Additional focusing / diffusing lens made of partially frosted crystal glass
Reflector made of pure, high-gloss anodized aluminium
Black flex suspension $5 \times 0,75$ □
with 1 steel messenger wire
Overall length of luminaire approx. 4000 mm
Connection terminal 2.5 □
Earth conductor connection
Connecting terminal DA DA for digital control
LED power supply unit
220-240 V \approx 0/50-60 Hz
DALI controllable
A basic isolation exists between power cable and control line
Safety class I
 – Safety mark
 – Conformity mark
Weight: 5.7 kg

Inrush current

Inrush current: 20 A / 400 μ s
Maximum number of luminaires of this type per miniature circuit breaker:
B 10A: 9 luminaires
B 16A: 15 luminaires
C 10A: 16 luminaires
C 16A: 25 luminaires

Lighting technology

Half beam angle 61°
Luminaire data for the light planning program DIALux for outdoor lighting, street lighting and interior lighting as well as luminaire data in EULUMDAT and IES format are available on our website www.bega.com.

Lamp

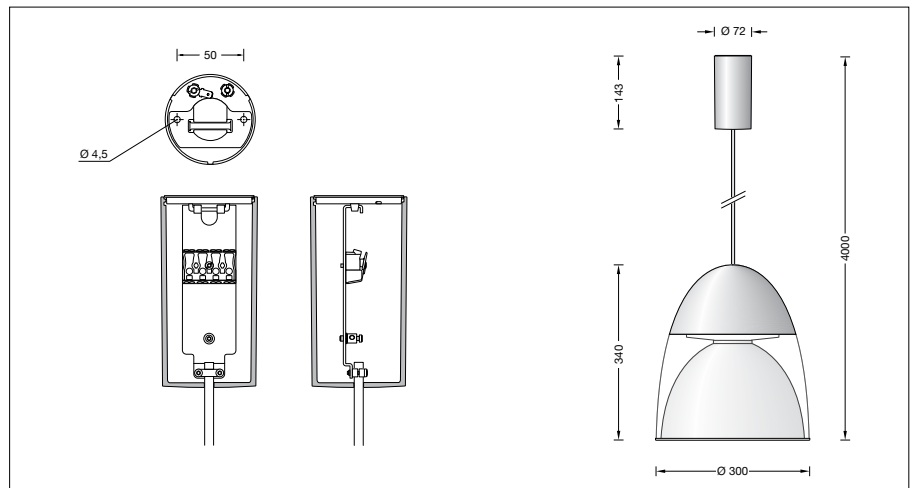
Module connected wattage	36.3 W
Luminaire connected wattage	39.5 W
Rated temperature	$t_a = 25$ °C
Ambient temperature	$t_{a \max} = 45$ °C

56 581.3 K3

Module designation	LED-0495/930
Colour temperature	3000 K
Colour rendering index	CRI > 90
Module luminous flux	4920 lm
Luminaire luminous flux	3415 lm
Luminaire luminous efficiency	86,5 lm/W

56 581.3 K4

Module designation	LED-0495/940
Colour temperature	4000 K
Colour rendering index	CRI > 90
Module luminous flux	5065 lm
Luminaire luminous flux	3515 lm
Luminaire luminous efficiency	89 lm/W



Service life of the LED

Ambient temperature $t_a = 25$ °C
– at 290,000 h: L 70 B 50

max. ambient temperature $t_a = 45$ °C
– at 190,000 h: L 70 B 50

Article No. 56 581.3

LED colour temperature optionally 3000 K or 4000 K
3000 K – Article number + **K3**
4000 K – Article number + **K4**

Optional finishes

- White enamel with code number **.1**
- Stainless steel with code number **.2**
- Polished aluminium with code number **.3**