

Pendant luminaire for indoor use

Project · Reference number

Date

Product data sheet**Application**

Pendant luminaire · indoor luminaire with hand-blown opal glass for free-radiating and uniform light.

Metal luminaire housing and canopy with steel wire suspension.

Product description

Metal luminaire housing and canopy, finish white enamel

Hand-blown opal glass

2 fixing holes \varnothing 5.5 mm

140 mm spacing

Transparent flex suspension $5 \times 0,75$ □

Steel wire suspension

Overall length of luminaire ~4000 mm

Connecting terminal 2.5 □

with plug connection

Earth conductor connection

2-pole connecting terminal for digital control

LED power supply unit

220-240 V \sim 0/50-60 Hz

DALI controllable

A basic isolation exists between power cable and control line

Safety class I

CE – Conformity mark

Inrush current

Inrush current: 20 A / 400 μ s

Maximum number of luminaires of this type per miniature circuit breaker:

B 10A: 9 luminaires

B 16A: 15 luminaires

C 10A: 16 luminaires

C 16A: 25 luminaires

Lamp

Module connected wattage 37.8 W

Luminaire connected wattage 43.1 W

Rated temperature $t_a = 25$ °C

Ambient temperature $t_{a,max} = 45$ °C

56 580

Module designation LED-0531/930

Colour temperature 3000 K

Colour rendering index $R_a > 90$

Module luminous flux 4750 lm

Luminaire luminous flux 3836 lm

Luminaire luminous efficiency 89 lm/W

56 580 K4

Module designation LED-0531/940

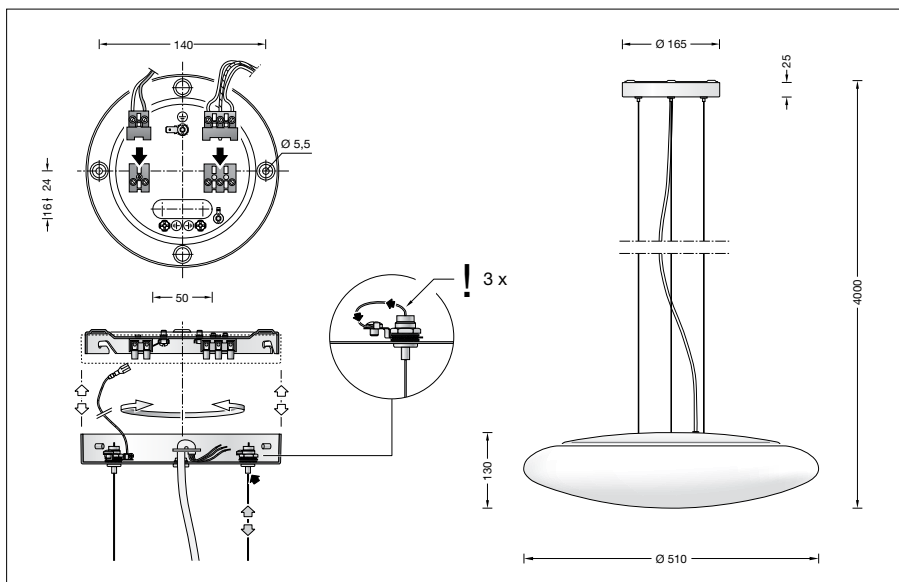
Colour temperature 4000 K

Colour rendering index $R_a > 90$

Module luminous flux 4925 lm

Luminaire luminous flux 3977 lm

Luminaire luminous efficiency 92,3 lm/W

**Lifetime of the LED**

Ambient temperature $t_a = 15$ °C

– at 50,000 h: L80B10

– at 427,000 h: L70B50

Ambient temperature $t_a = 25$ °C

– at 50,000 h: L90B10

– at 229,000 h: L70B50

max. ambient temperature $t_a = 45$ °C

– at 50,000 h: L70B50

– at 72,000 h: L70B50

Article No. 56 580

LED colour temperature optionally 3000 K or 4000 K

3000 K – Article number

4000 K – Article number + **K4**

If the article number is followed by a **P**, we can also supply luminaires in tough synthetic material.