

BEGA**56 579 P**

Pendant luminaire for indoor use



Project · Reference number

Date

Product data sheet

Application

Pendant luminaire · indoor luminaire with impact resistant synthetic diffuser for free-radiating and uniform light.
Metal luminaire housing and canopy with 3 steel wire suspension.

Product description

Metal luminaire housing and canopy, finish white enamel
Impact resistant synthetic diffuser, white
2 mounting holes \varnothing 5.5 mm
Distance apart 140 mm
Transparent flex suspension $5 \times 0,75$ □
Steel wire suspension
Overall length of luminaire approx. 4000 mm
Connecting terminal 2.5 □
with plug connection
Earth conductor connection
2-pole connecting terminal for digital control
LED power supply unit
220-240 V \sim 0/50-60 Hz
DALI controllable
A basic isolation exists between power cable and control line
Safety class I
 – Safety mark
CE – Conformity mark
Weight: 3.7 kg

Inrush current

Inrush current: 5 A / 50 μ s
Maximum number of luminaires of this type per miniature circuit breaker:
B 10A: 31 luminaires
B 16A: 50 luminaires
C 10A: 52 luminaires
C 16A: 85 luminaires

Light technique

Luminaire data for the light planning program DIALux for outdoor lighting, street lighting and indoor lighting as well as luminaire data in EULUMDAT- and IES-format you will find on the BEGA web page www.bega.com.

Lamp

Module connected wattage	25.2 W
Luminaire connected wattage	29.4 W
Rated temperature	$t_a = 25$ °C
Ambient temperature	$t_{a \max} = 35$ °C

56 579 P K3

Module designation	LED-0530/930
Colour temperature	3000 K
Colour rendering index	CRI > 90
Module luminous flux	3165 lm
Luminaire luminous flux	2367 lm
Luminaire luminous efficiency	80,5 lm/W

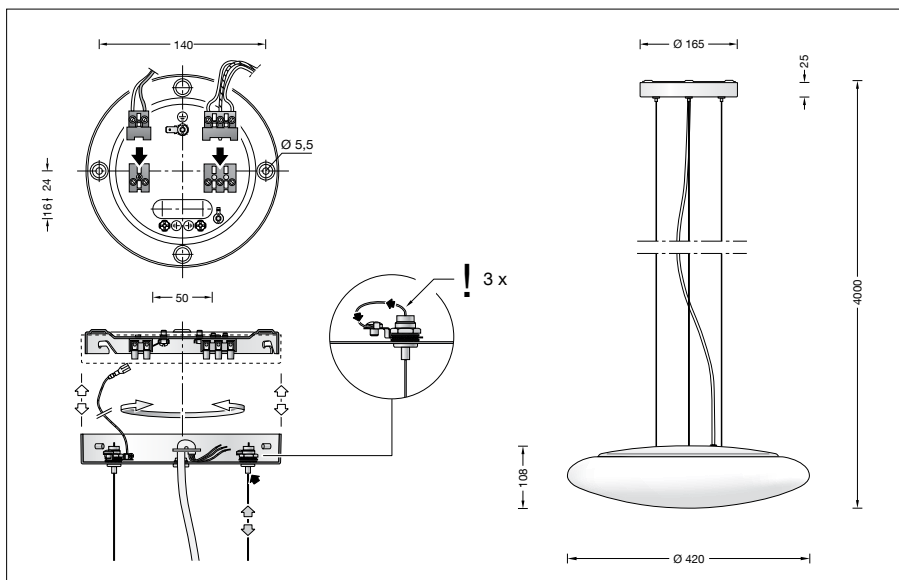
56 579 P K4

Module designation	LED-0530/940
Colour temperature	4000 K
Colour rendering index	CRI > 90
Module luminous flux	3280 lm
Luminaire luminous flux	2453 lm
Luminaire luminous efficiency	83,4 lm/W

Service life of the LED

Ambient temperature $t_a = 25$ °C
– at 175,000h: L70 B50

max. ambient temperature $t_a = 35$ °C
– at 99,000h: L70 B50



Article No. 56 579 P

LED colour temperature optionally 3000 K or 4000 K
3000 K – Article number + **K3**
4000 K – Article number + **K4**