

GLASHÜTTE LIMBURG

Product data sheet

Pendant luminaire

56 579

Project · Reference number

Date

Application

Pendant luminaire with hand-blown opal glass for free-radiating and uniform light.
Metal luminaire housing and canopy with steel wire suspension.

Product description

Metal luminaire housing and canopy, finish white enamel
Hand-blown opal glass
2 fixing holes \varnothing 5.5 mm
140 mm spacing
Transparent flex suspension $5 \times 0,75$ □
Steel wire suspension
Overall length of luminaire ~4000 mm
Plug connection
Connecting terminal 2.5□
Earth conductor connection
2-pole connecting terminal for digital control
LED power supply unit
220-240 V \sim 0/50-60 Hz
DALI controllable
A basic isolation exists between power cable and control line
Safety class I
CE – Conformity mark
Weight: 6.0 kg

Lamp

Module connected wattage	25.2 W
Luminaire connected wattage	29.9 W
Rated temperature	$t_a = 25$ °C
Ambient temperature	$t_{a \max} = 40$ °C

56 579

Module designation	LED-0530/930
Colour temperature	3000 K
Colour rendering index	$R_a > 90$
Module luminous flux	3165 lm
Luminaire luminous flux	2234 lm
Luminaire luminous efficiency	74,7 lm/W

56 579 K4

Module designation	LED-0530/940
Colour temperature	4000 K
Colour rendering index	$R_a > 90$
Module luminous flux	3280 lm
Luminaire luminous flux	2315 lm
Luminaire luminous efficiency	77,4 lm/W

Lifetime of the LED

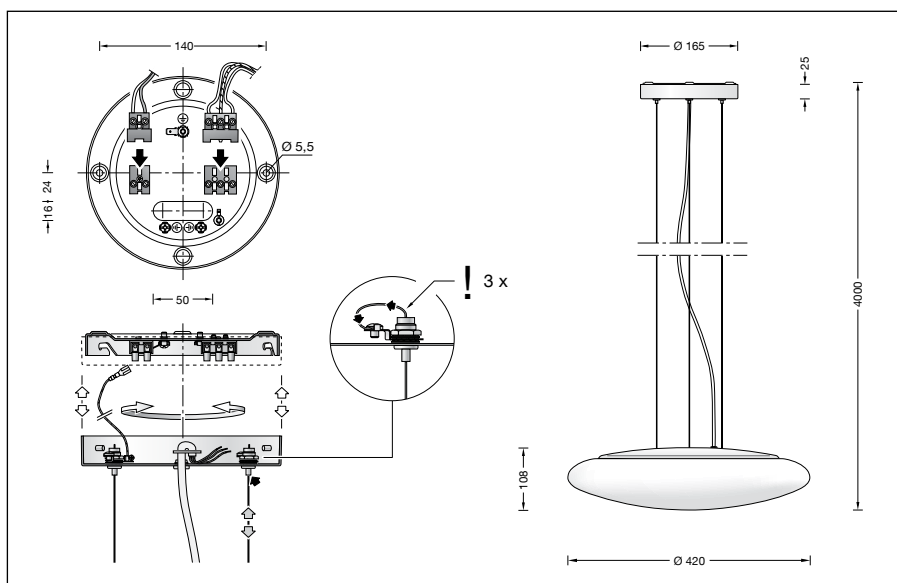
Ambient temperature $t_a = 15$ °C
– at 50,000h: L80B10
– at 246,000h: L70B50

Ambient temperature $t_a = 25$ °C

– at 50,000h: L90B50
– at 135,000h: L70B50

max. ambient temperature $t_a = 40$ °C

– at 50,000h: L70B50
– at 59,000h: L70B50

**Article No. 56 579**

Colour temperature 3000 K.
Also available with 4000 K on request.
3000 K – article number
4000 K – article number + **K4**

If the article number is followed by a **P**, we can also supply luminaires in tough synthetic material.