

BEGA**56 570.1**

Large-area pendant luminaire for indoor use

Project · Reference number

Date

Product data sheet**Application**

LED Large-area pendant luminaire · indoor luminaire with high light power and high uniform light distribution.

Metal luminaire housing and 3 steel suspension wires.

Product description

Luminaire housing made of aluminium and metal canopy, white enamel finish

Crystal glass, inside white

Silicone gasket

Transparent flex suspension,

4 × 2,5[□] · steel wire suspension

Overall length of luminaire approx. 4000 mm

Connecting terminal 2.5[□]

with plug connection

Earth conductor connection

2-pole connecting terminal for

digital control

LED power supply unit

220-240 V ~ 0/50-60 Hz

DC 176-276 V

During DC operation the LED power

is reduced to 15 %

DALI controllable

A basic isolation exists between power cable

and control line

Safety class I

CE – Conformity mark

Weight: 26.0 kg

Inrush current

Inrush current: 52 A / 200 μs

Maximum number of luminaires of this type per miniature circuit breaker:

B 10A: 6 luminaires

B 16A: 10 luminaires

Lamp

Module connected wattage 104 W

Luminaire connected wattage 116 W

Rated temperature $t_a = 25\text{ °C}$

Ambient temperature $t_{a\text{ max}} = 40\text{ °C}$

56 570.1 K3

Module designation 8x LED-0845/930

Colour temperature 3000 K

Colour rendering index CRI > 90

Module luminous flux 17400 lm

Luminaire luminous flux 10271 lm

Luminaire luminous efficiency 88,5 lm/W

56 570.1 K4

Module designation 8x LED-0845/940

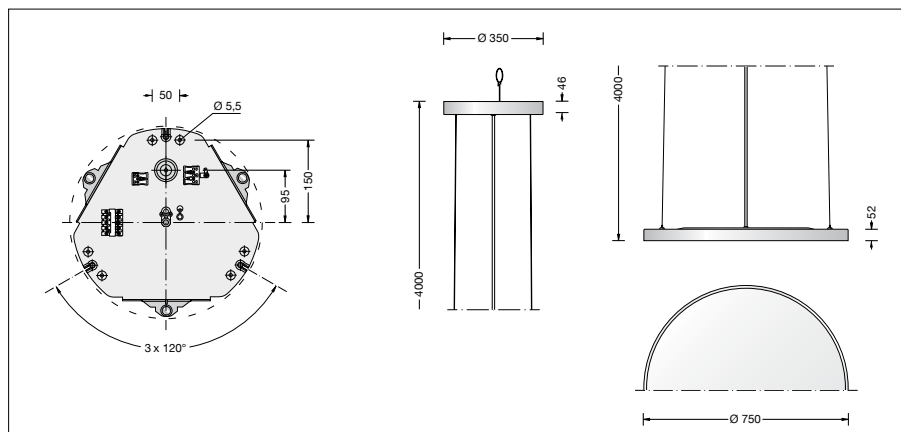
Colour temperature 4000 K

Colour rendering index CRI > 90

Module luminous flux 17960 lm

Luminaire luminous flux 10602 lm

Luminaire luminous efficiency 91,4 lm/W

**Service life of the LED**

Ambient temperature $t_a = 25\text{ °C}$

– at > 500,000h: L 70 B 50

max. ambient temperature $t_a = 40\text{ °C}$

– at 245,000h: L 70 B 50

Light technique

Luminaire data for the light planning program DIALux for outdoor lighting, street lighting and indoor lighting as well as luminaire data in EULUMDAT- and IES-format you will find on the BEGA web page www.bega.com.

Article No. 56 570.1

LED colour temperature optionally 3000 K or 4000 K

3000 K – Article number + **K3**

4000 K – Article number + **K4**

Optional finishes

- White enamel
- Stainless steel
- Chrome

code number **.1**

code number **.2**

code number **.3**