

GLASHÜTTE LIMBURG**Product data sheet****Large-area pendant luminaire****56 569.2**

Project · Reference number

Date

Application

LED Large-area pendant luminaire with high light power and high uniform light distribution.
Metal luminaire housing and 3 steel suspension wires.

Product description

Aluminium luminaire housing and metal canopy, stainless steel finish
Crystal glass, inside white
Silicone gasket
Silvergray flex suspension, semi-matt
4 × 2,5 □
steel wire suspension
Overall length of luminaire ~3000 mm
Plug connection
Connecting terminal 2.5 □
Earth conductor connection
2-pole connecting terminal for digital control
LED power supply unit
220-240 V ~ 50/60 Hz
DALI controllable
A basic isolation exists between power cable and control line
Safety class I
CE – Conformity mark
Weight: 14.5 kg

Lamp

Module connected wattage	110 W
Luminaire connected wattage	126 W
Rated temperature	$t_a = 25 \text{ }^\circ\text{C}$
Ambient temperature	$t_{a \text{ max}} = 40 \text{ }^\circ\text{C}$

56 569.2

Module designation	6x LED-0487/830
Colour temperature	3000 K
Colour rendering index	$R_a > 80$
Module luminous flux	10130 lm
Luminaire luminous flux	4323 lm
Luminaire luminous efficiency	34,3 lm / W

56 569.2 K4

Module designation	6x LED-0487/840
Colour temperature	4000 K
Colour rendering index	$R_a > 80$
Module luminous flux	10740 lm
Luminaire luminous flux	4583 lm
Luminaire luminous efficiency	36,4 lm / W

Lifetime of the LED

Ambient temperature $t_a = 15 \text{ }^\circ\text{C}$
 – at 50,000h: L70B10
 – at 66,000h: L70B50

Ambient temperature $t_a = 25 \text{ }^\circ\text{C}$

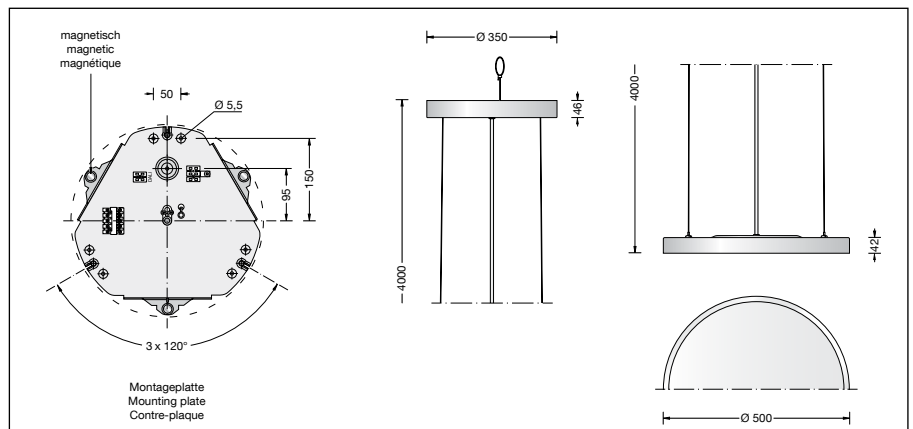
– at 50,000h: L70B10
 – at 60,000h: L70B50

max. ambient temperature $t_a = 40 \text{ }^\circ\text{C}$

– at 50,000h: L70B50
 – at 51,000h: L70B50



www.glashuette-limborg.com

**Article No. 56 569.2**

Colour temperature 3000 K.
 Also available with 4000 K on request.
 3000 K – article number
 4000 K – article number + **K4**

Finish options

- Enamel, white
- Stainless steel
- Chrome

Code number **.1**Code number **.2**Code number **.3**