

**BEGA****56 568.3**

Pendant luminaire for indoor use



Project · Reference number

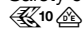

Date

## Product data sheet

**Application**

Pendant luminaire · indoor luminaire for free-radiating and uniform light made of hand-blown opal glass, satin matt. Metal luminaire housing.

**Product description**

Metal luminaire housing,  
finish polished aluminium  
Hand-blown opal glass,  
satin matt, with screw neck  
Black flex suspension  $2 \times 0,5 \square$   
with 1 steel messenger wire  
Overall length of luminaire approx. 3000 mm  
LED power supply unit inside canopy  
220-240 V  $\sim$  0/50-60 Hz  
DALI controllable  
A basic isolation exists between power cable  
and control line  
Safety class I  
 – Safety mark  
 – Conformity mark  
Weight: 3.6 kg

**Inrush current**

Inrush current: 12 A / 24.2  $\mu$ s  
Maximum number of luminaires of this  
type per miniature circuit breaker:  
B10A: 50 luminaires  
B16A: 50 luminaires  
C10A: 50 luminaires  
C16A: 50 luminaires

**Light technique**

Luminaire data for the light planning program  
DIALux for outdoor lighting, street lighting and  
indoor lighting as well as luminaire data in  
EULUMDAT- and IES-format you will find on the  
BEGA web page [www.bega.com](http://www.bega.com).

**Lamp**

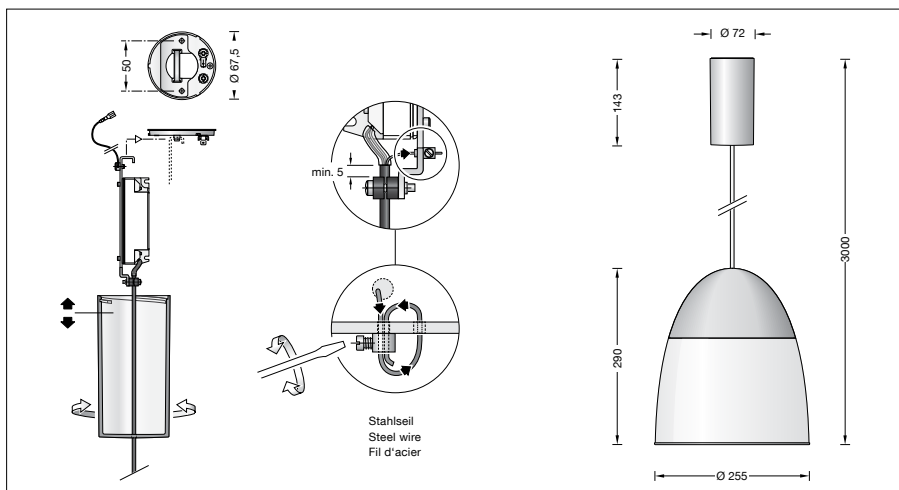
Module connected wattage 17.7 W  
Luminaire connected wattage 20 W  
Rated temperature  $t_a = 25 \text{ }^\circ\text{C}$   
Ambient temperature  $t_{a \text{ max}} = 45 \text{ }^\circ\text{C}$

**56 568.3 K3**

Module designation LED-0327/930  
Colour temperature 3000 K  
Colour rendering index CRI > 90  
Module luminous flux 2745 lm  
Luminaire luminous flux 2141 lm  
Luminaire luminous efficiency 107 lm/W

**56 568.3 K4**

Module designation LED-0327/840  
Colour temperature 4000 K  
Colour rendering index CRI > 90  
Module luminous flux 2830 lm  
Luminaire luminous flux 2207 lm  
Luminaire luminous efficiency 110,4 lm/W

**Lifetime of the LED**

Ambient temperature  $t_a = 15 \text{ }^\circ\text{C}$   
– at 50,000h: L90B10  
– at > 500,000h: L70B50

Ambient temperature  $t_a = 25 \text{ }^\circ\text{C}$   
– at 50,000h: L90B10  
– at > 500,000h: L70B50

max. ambient temperature  $t_a = 45 \text{ }^\circ\text{C}$   
– at 50,000h: L80B10  
– at 254,000h: L70B50

**Article No. 56 568.3**

LED colour temperature optionally 3000K  
or 4000K  
3000 K – Article number + **K3**  
4000 K – Article number + **K4**

**Finish options**

- Enamel, white
- Stainless steel
- Polished aluminium

Code number **.1**  
Code number **.2**  
Code number **.3**