

BEGA**56 567.1**

Pendant luminaire for indoor use



Project · Reference number

Date

Product data sheet

Application

Pendant luminaire · indoor luminaire for free-radiating and uniform light made of hand-blown opal glass, satin matt. Metal luminaire housing.

Product description

Metal luminaire housing, finish white enamel
 Hand-blown opal glass, satin matt, with screw neck
 White flex suspension $2 \times 0,5^{\square}$ with 1 steel messenger wire
 Overall length of luminaire approx. 2000 mm
 LED power supply unit inside canopy
 220-240 V \sim 0/50-60 Hz
 DALI controllable
 A basic isolation exists between power cable and control line
 Safety class I
 – Safety mark
 – Conformity mark
 Weight: 2.5 kg

Inrush current

Inrush current: 21 A / 18.2 μ s
 Maximum number of luminaires of this type per miniature circuit breaker:
 B10A: 50 luminaires
 B16A: 50 luminaires
 C10A: 50 luminaires
 C16A: 50 luminaires

Lamp

Module connected wattage 13.5 W
 Luminaire connected wattage 15.5 W
 Rated temperature $t_a = 25^{\circ}\text{C}$
 Ambient temperature $t_{a\text{max}} = 50^{\circ}\text{C}$

56 567.1 K3

Module designation LED-0328/930
 Colour temperature 3000 K
 Colour rendering index CRI > 90
 Module luminous flux 2135 lm
 Luminaire luminous flux* 1571 lm
 Luminaire luminous efficiency* 101,4 lm/W

56 567.1 K4

Module designation LED-0328/940
 Colour temperature 4000 K
 Colour rendering index CRI > 90
 Module luminous flux 2200 lm
 Luminaire luminous flux* 1619 lm
 Luminaire luminous efficiency* 104,5 lm/W

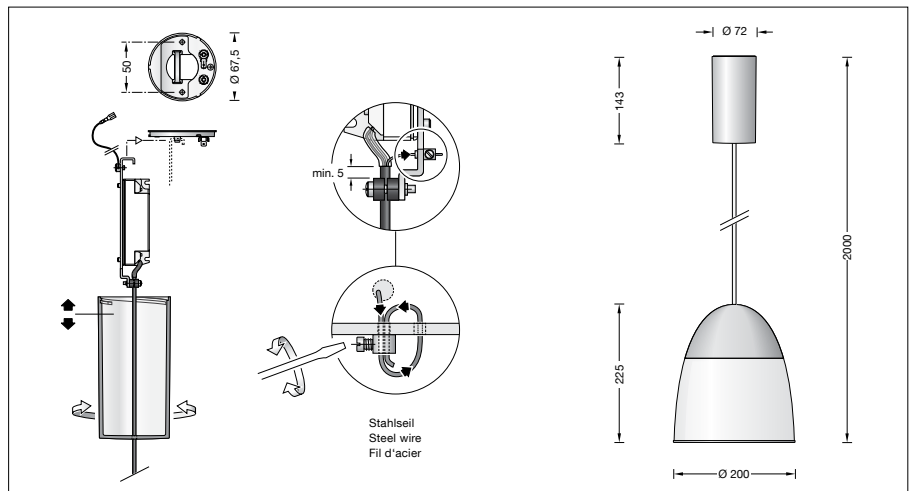
* preliminary data

Lifetime of the LED

Ambient temperature $t_a = 15^{\circ}\text{C}$
 – at 50,000h: L90B10
 – at > 500,000h: L70B50

Ambient temperature $t_a = 25^{\circ}\text{C}$
 – at 50,000h: L90B10
 – at > 500,000h: L70B50

max. ambient temperature $t_a = 50^{\circ}\text{C}$
 – at 50,000h: L80B10
 – at 165,000h: L70B50



Light technique

Luminaire data for the light planning program DIALux for outdoor lighting, street lighting and indoor lighting as well as luminaire data in EULUMDAT- and IES-format you will find on the BEGA web page www.bega.com.

Article No. 56 567.1

LED colour temperature optionally 3000K or 4000K
 3000 K – Article number + **K3**
 4000 K – Article number + **K4**

Finish options

- Enamel, white
- Stainless steel
- Polished aluminium

Code number **.1**
 Code number **.2**
 Code number **.3**