

**BEGA****56 566.3**

Pendant luminaire for indoor use



Project · Reference number

Date

## Product data sheet

### Application

Pendant luminaire · indoor luminaire with hand-blown crystal glass and metal housing.  
A focusing / dispersing lens bundles the powerful LED-light in the centre of the reflector for a direct proportion of downlight. At the same time, a proportion of the dispersed light is used to illuminate the luminaire glass and to generate the vertical illuminance.

### Product description

Metal luminaire housing,  
finish polished aluminium  
Hand-blown crystal glass, with screw-neck  
Additional focusing / dispersing lens made of partially frosted crystal glass  
Reflector made of pure, high-gloss anodized aluminium  
Black flex suspension  $2 \times 0,5$  □  
with 1 steel messenger wire  
Overall length of luminaire approx. 3000 mm  
LED power supply unit inside canopy  
220-240 V  $\sim$  0/50-60 Hz  
DALI controllable  
A basic isolation exists between power cable and control line  
Safety class I  
 – Safety mark  
 – Conformity mark  
Weight: 3.6 kg

### Inrush current

Inrush current: 21 A / 18,2  $\mu$ s  
Maximum number of luminaires of this type per miniature circuit breaker:  
B 10A: 50 luminaires  
B 16A: 50 luminaires  
C 10A: 50 luminaires  
C 16A: 50 luminaires

### Lighting technology

Half beam angle 38°  
Luminaire data for the light planning program DIALux for outdoor lighting, street lighting and interior lighting as well as luminaire data in EULUMDAT and IES format are available on our website [www.bega.com](http://www.bega.com).

### Lamp

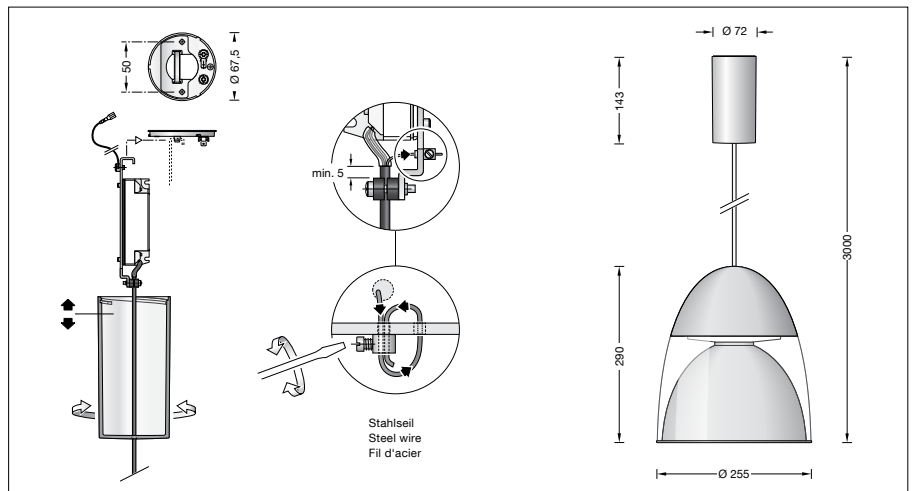
Module connected wattage 17.7 W  
Luminaire connected wattage 20 W  
Rated temperature  $t_a = 25$  °C  
Ambient temperature  $t_{a,max} = 45$  °C

### 56 566.3 K3

Module designation LED-0327/930  
Colour temperature 3000 K  
Colour rendering index CRI > 90  
Module luminous flux 2745 lm  
Luminaire luminous flux 2000 lm  
Luminaire luminous efficiency 100 lm/W

### 56 566.3 K4

Module designation LED-0327/940  
Colour temperature 4000 K  
Colour rendering index CRI > 90  
Module luminous flux 2830 lm  
Luminaire luminous flux 2062 lm  
Luminaire luminous efficiency 103,1 lm/W



### Lifetime of the LED

Ambient temperature  $t_a = 15$  °C  
– at 50,000h: L90B10  
– at > 500,000h: L70B50

Ambient temperature  $t_a = 25$  °C  
– at 50,000h: L90B10  
– at > 500,000h: L70B50

max. ambient temperature  $t_a = 45$  °C  
– at 50,000h: L80B10  
– at 254,000h: L70B50

### Article No. 56 566.3

LED colour temperature optionally 3000K or 4000K  
3000 K – Article number  
4000 K – Article number + **K4**

### Finish options

- Enamel, white
- Stainless steel
- Polished aluminium

Code number **.1**  
Code number **.2**  
Code number **.3**