

GLASHÜTTE LIMBURG**Product data sheet****Pendant luminaire****56 565.1**

Project · Reference number

Date

Application

Pendant luminaire with hand-blown crystal glass and metal housing.

A focusing / dispersing lens bundles the powerful LED-light in the centre of the reflector for a direct proportion of downlight. At the same time, a proportion of the dispersed light is used to illuminate the luminaire glass and to generate the vertical illuminance.

The used LED technique offers durability and optimal light output with low power consumption at the same time.

Product description

Metal luminaire housing,
finish white enamel

Hand-blown crystal glass, with screw-neck
Additional focusing / dispersing lens made of
partially frosted crystal glass

Reflector made of pure, high-gloss anodized
aluminium

White flex suspension $2 \times 0,5 \square$
with 1 steel messenger wire

Overall length of luminaire ~2000 mm

LED power supply unit inside canopy

220-240 V \sim 0/50-60 Hz

DALI controllable

A basic isolation exists between power cable
and control line

Safety class I

CE – Conformity mark

Weight: 2.5 kg

Light technique

Half beam angle 36°

Luminaire data for the light planning program
DIALux for indoor lighting as well as luminaire
data in EULUMDAT and IES-format you will
find on our website
www.glashuette-limborg.com.

Lamp

Module connected wattage 13.5 W

Luminaire connected wattage 15.5 W

Rated temperature $t_a = 25 \text{ }^\circ\text{C}$

Ambient temperature $t_{a \text{ max}} = 45 \text{ }^\circ\text{C}$

56 565.1

Module designation LED-0328/930

Colour temperature 3000 K

Colour rendering index $R_a > 90$

Module luminous flux 2135 lm

Luminaire luminous flux 1520 lm

Luminaire luminous efficiency 98,1 lm/W

56 565.1 K4

Module designation LED-0328/940

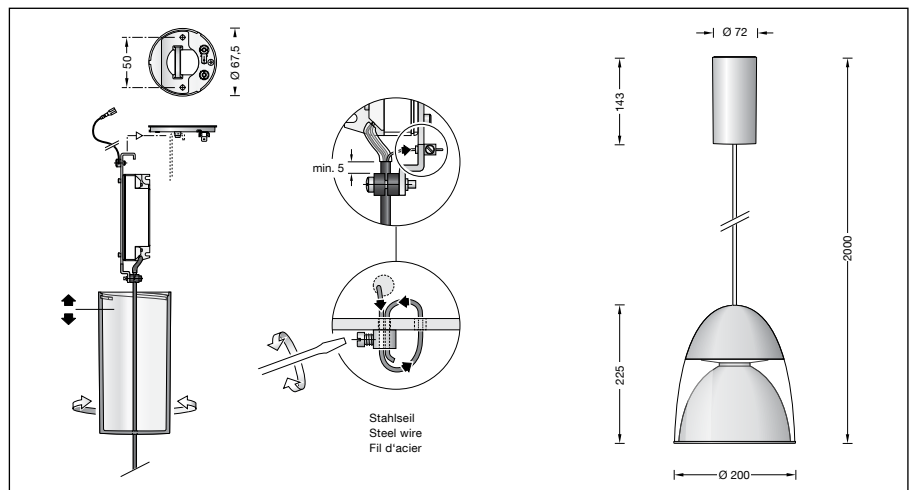
Colour temperature 4000 K

Colour rendering index $R_a > 90$

Module luminous flux 2200 lm

Luminaire luminous flux 1567 lm

Luminaire luminous efficiency 101,1 lm/W

www.glashuette-limborg.com**Lifetime of the LED**

Ambient temperature $t_a = 15 \text{ }^\circ\text{C}$

– at 50,000h: L90 B10

– at > 500,000h: L70 B50

Ambient temperature $t_a = 25 \text{ }^\circ\text{C}$

– at 50,000h: L90 B10

– at > 500,000h: L70 B50

max. ambient temperature $t_a = 45 \text{ }^\circ\text{C}$

– at 50,000h: L80 B10

– at 223,000h: L70 B50

Article No. 56 565.1

Colour temperature 3000 K.

Also available with 4000 K on request.

3000 K – article number

4000 K – article number + **K4**

Finish options

• Enamel, white

• Stainless steel

• Polished aluminium

Code number **.1**

Code number **.2**

Code number **.3**