

GLASHÜTTE LIMBURG**Product data sheet****Pendant luminaire****5554**

Project · Reference number

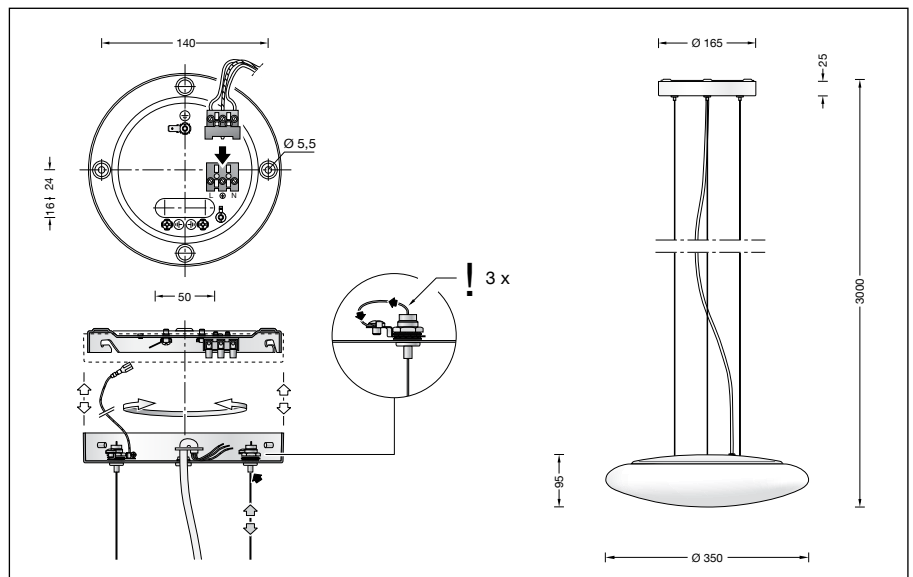
Date

Application

Pendant luminaire with hand-blown opal glass for free-radiating and uniform light.
Aluminium luminaire housing and metal canopy with steel wire suspension.

Product description

Aluminium luminaire housing and metal canopy, finish white enamel RAL 9010
Hand-blown opal glass
Transparent flex suspension $3 \times 0,75 \square$
Steel wire suspension
Overall length of luminaire ~3000 mm
Plug connection
Connecting terminal $2.5 \square$
Earth conductor connection
LED power supply unit
220-240 V \sim 0/50-60 Hz
DC 176-264 V
DC Start ≥ 198 V
Safety class I
CE – Conformity mark
Weight: 3.4 kg


www.glashuette-limburg.com
**Lamp**

LED 3000 K	16.8 W
Connected wattage	20.1 W
Lamp luminous flux	1700 lm
Colour rendering index	$R_a > 80$
Article No.	4x LED-0280/830

LED 4000 K	16.8 W
Connected wattage	20.1 W
Lamp luminous flux	1840 lm
Colour rendering index	$R_a > 80$
Article No.	4x LED-0280/840

Article No. 5554

Colour temperature 3000 K.
Also available with 4000 K on request.
3000 K – article number
4000 K – article number + **K4**