

**BEGA****56 536.1**

Pendant luminaire for indoor use



Project · Reference number

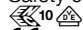

Date

## Product data sheet

**Application**

Pendant luminaire · indoor luminaire with hand-blown crystal glass and metal housing.  
A focusing / dispersing lens bundles the powerful LED-light in the centre of the reflector for a direct proportion of downlight. At the same time, a proportion of the dispersed light is used to illuminate the luminaire glass and to generate the vertical illuminance.

**Product description**

Metal luminaire housing,  
finish white enamel  
Hand-blown crystal glass, with screw-neck  
Additional focusing / diffusing lens made of partially frosted crystal glass  
Reflector made of pure, high-gloss anodized aluminium  
White flex suspension  $5 \times 0,7$  □  
with 1 steel messenger wire  
Overall length of luminaire approx. 2000 mm  
Connecting terminals 2.5 □  
Earth conductor connection  
2-pole connecting terminal for digital control  
LED power supply unit  
220-240 V  $\sim$  0/50-60 Hz  
DALI controllable  
A basic isolation exists between power cable and control line  
Safety class I  
 – Safety mark  
 – Conformity mark  
Weight: 2.5 kg

**Inrush current**

Inrush current: 24 A / 115  $\mu$ s  
Maximum number of luminaires of this type per miniature circuit breaker:  
B 10A: 31 luminaires  
B 16A: 51 luminaires  
C 10A: 53 luminaires  
C 16A: 86 luminaires

**Lamp**

Module connected wattage	13.5 W
Luminaire connected wattage	16.5 W
Rated temperature	$t_a = 25$ °C
Ambient temperature	$t_{a\max} = 50$ °C

**56 536.1 K3**

Module designation	LED-0328/930
Colour temperature	3000 K
Colour rendering index	CRI > 90
Module luminous flux	2135 lm
Luminaire luminous flux	1500 lm
Luminaire luminous efficiency	90,9 lm/W

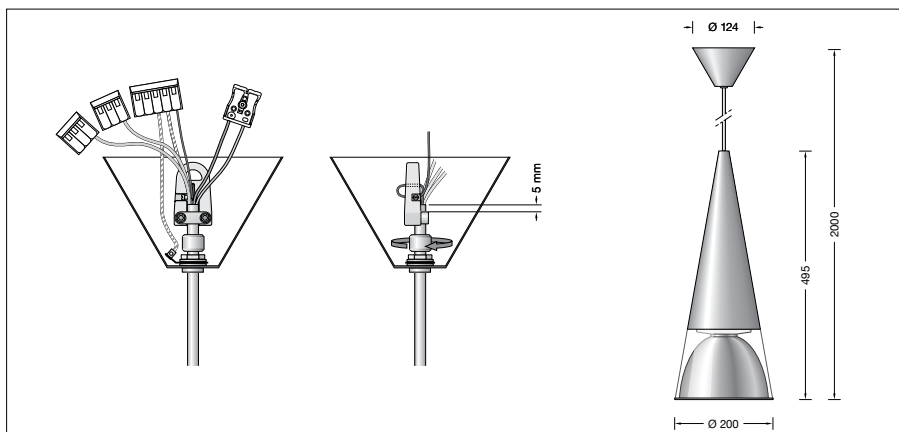
**56 536.1 K4**

Module designation	LED-0328/940
Colour temperature	4000 K
Colour rendering index	CRI > 90
Module luminous flux	2200 lm
Luminaire luminous flux	1545 lm
Luminaire luminous efficiency	93,6 lm/W

**Service life of the LED**

Ambient temperature  $t_a = 25$  °C  
– at > 500,000 h: L 70 B 50

max. ambient temperature  $t_a = 50$  °C  
– at 161,000 h: L 70 B 50

**Lighting technology**

Half beam angle 43°  
Luminaire data for the light planning program DIALux for outdoor lighting, street lighting and interior lighting as well as luminaire data in EULUMDAT and IES format are available on our website [www.bega.com](http://www.bega.com).

**Article No. 56 536.1**

LED colour temperature optionally 3000 K or 4000 K  
3000 K – Article number + **K3**  
4000 K – Article number + **K4**

## Optional finishes

- White enamel
- Stainless steel
- Polished aluminium

code number **.1**  
code number **.2**  
code number **.3**