

BEGA**50 797.4**

Large-area ceiling luminaire for indoor use

Project · Reference number

Date

Product data sheet**Application**

Large-area LED ceiling luminaire · indoor luminaire with high light power, high uniform light distribution and adjustable colour temperature (Tunable White). With metal luminaire shield for shielded light deflectetd downwards.

Product description

Large-area LED luminaire »STUDIO LINE«
 Aluminium housing shield,
 velvet white enamel finish,
 Inside hue matt brass
 Metal luminaire mounting plate,
 finish white enamel
 Light-diffusing synthetic luminaire cover
 Silicone gasket
 Mounting round plate with 6 fixing holes,
 Angle 120° · pitch circle ϕ 1,090 mm and with 2
 fixing holes, ϕ 10 mm on pitch circle ϕ 450 mm
 Connecting terminals 2.5² · Plug system
 Earth conductor terminal
 LED power supply unit
 220-240 V \sim 0/50-60 Hz
 DC 176-280 V
 DC Start \geq 190 V
 DALI controllable (Device Type 8 for Tunable
 White according to IEC 62386-209)
 A basic isolation exists between power cable
 and control line
 BEGA Thermal Switch®
 Temporary thermal shutdown to protect
 temperature-sensitive components
 Safety class I
CE – Conformity mark
 Weight: 57.4 kg

Inrush current

Inrush current: 105 A / 189 μ s
 Maximum number of luminaires of this
 type per miniature circuit breaker:
 B 10A: 3 luminaires
 B 16A: 6 luminaires
 C 10A: 6 luminaires
 C 16A: 10 luminaires

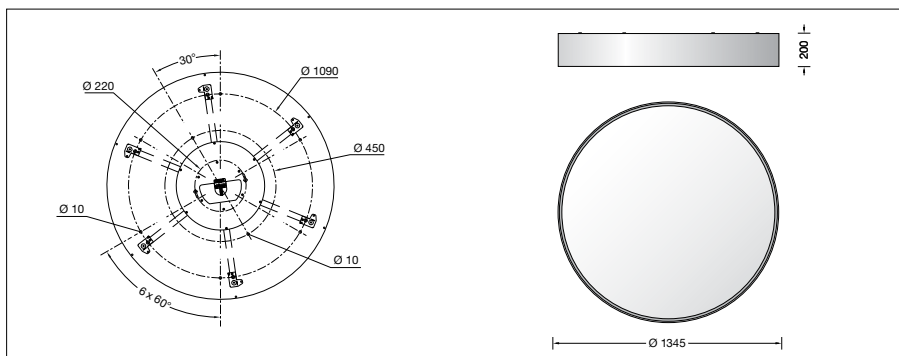
Lamp

Module connected wattage	123.2 W
Luminaire connected wattage	144 W
Rated temperature	$t_a = 25$ °C
Ambient temperature	$t_{a \max} = 45$ °C

Module designation	8 x LED-0702/9TW
Colour temperature	adjust. 2700 - 6500 K
Colour rendering index	$R_a > 90$
Module luminous flux	19360 lm
Luminaire luminous flux	13729 lm
Luminaire luminous efficiency	95,3 lm/W

Setting the colour temperature

The LED colour temperature of the luminaire can be set from 2700 to 6500 K ("Tunable White"). Please note: To be able to set the LED colour temperature, the controller used must support DALI Device Type 8. If no LED colour temperature setting is made, 3000 K will be used by default.

**Service life · Ambient temperature**

Rated temperature $t_a = 25$ °C	
LED psu:	> 50,000 h
LED module:	> 200,000 h (L 80 B 50) 50,000 h (L 90 B 50)

Ambient temperature $t_{a \max} = 45$ °C (100 %)	
LED psu:	50,000 h
LED module:	119,000 h (L 80 B 50) 50,000 h (L 90 B 50)

Article No. 50 797.4

Interior colour options

- white
- matt aluminium
- matt brass
- matt copper

Code number **.1**
 Code number **.2**
 Code number **.4**
 Code number **.6**

Light technique

Luminaire data for the light planning program DIALux for outdoor lighting, street lighting and indoor lighting as well as luminaire data in EULUMDAT- and IES-format you will find on the BEGA web page www.bega.com.