

BEGA**50 738.6**

Pendant luminaire for indoor use

Project · Reference number

Date

Product data sheet**Application**

LED pendant luminaire · indoor luminaire
with impact resistant synthetic diffuser and
metal housing for light deflected upwards and
downwards.

Product description

LED pendant luminaire »STUDIO LINE«
Aluminium housing shield,
velvet black enamel finish
Inside hue matt copper
Impact resistant synthetic diffuser, white
Light distribution separately controllable
Mounting plate with 2 elongated holes
Width 5.5 mm · 125 mm spacing
Black flex suspension 5 × 0,75 [□]
with 1 steel messenger wire
Overall length of luminaire approx. 3000 mm
Connection terminal 2.5 [□]
Earth conductor connection
Connecting terminal for digital control
LED power supply unit inside canopy
220-240 V \approx 0/50-60 Hz
DALI controllable
A basic isolation exists between power cable
and control line
Safety class I
CE – Conformity mark
Weight: 4.6 kg

Inrush current

Inrush current: 8 A / 50 μ s
Maximum number of luminaires of this
type per miniature circuit breaker:
B 10A: 15 luminaires
B 16A: 25 luminaires
C 10A: 26 luminaires
C 16A: 42 luminaires

Light technique

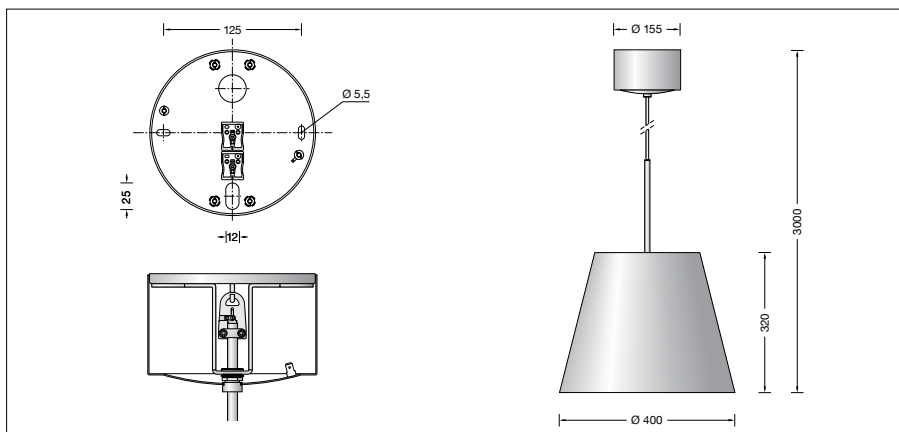
Luminaire data for the light planning program
DIALux for outdoor lighting, street lighting and
indoor lighting as well as luminaire data in
EULUMDAT- and IES-format you will find on the
BEGA web page www.bega.com.

Lamp

Module connected wattage	43.2 W
Luminaire connected wattage	48 W
Rated temperature	$t_a = 25 \text{ }^\circ\text{C}$
Ambient temperature	$t_{a \text{ max}} = 50 \text{ }^\circ\text{C}$

50 738.6 K3

Module designation	8x LED-0884/930
Colour temperature	3000 K
Colour rendering index	CRI > 90
Module luminous flux	7320 lm
Luminaire luminous flux	2840 lm
Luminaire luminous efficiency	59,2 lm/W

**Service life · Ambient temperature**

Ambient temperature $t_a = 25 \text{ }^\circ\text{C}$	
LED psu:	> 50,000 h
LED module:	> 200,000 h (L 80 B 50)
	50,000 h (L 90 B 50)

Ambient temperature $t_a = 50 \text{ }^\circ\text{C}$	
LED psu:	50,000 h
LED module:	59,000 h (L 80 B 50)
	50,000 h (L 80 B 50)

Article No. 50 738.6

Interior colour options

- matt aluminium
- matt brass
- matt copper

Code number **.2**
Code number **.4**
Code number **.6**