

**BEGA****50 738.2**

Pendant luminaire for indoor use

Project · Reference number

Date

## Product data sheet

**Application**

LED pendant luminaire · indoor luminaire  
with impact resistant synthetic diffuser and  
metal housing for light deflected upwards and  
downwards.

**Product description**

LED pendant luminaire »STUDIO LINE«  
Aluminium housing shield,  
velvet black enamel finish,  
Inside hue matt aluminium  
Impact resistant synthetic diffuser, white  
Light distribution separately controllable  
Mounting plate with 2 elongated holes  
Width 5.5 mm · 125 mm spacing  
Black flex suspension 5 × 0,75 <sup>□</sup>  
with 1 steel messenger wire  
Overall length of luminaire approx. 3000 mm  
Connection terminal 2.5 <sup>□</sup>  
Earth conductor connection  
Connecting terminal for digital control  
LED power supply unit inside canopy  
220-240 V  $\approx$  0/50-60 Hz  
DALI controllable  
A basic isolation exists between power cable  
and control line  
Safety class I  
**CE** – Conformity mark  
Weight: 4.6 kg

**Inrush current**

Inrush current: 8 A / 50  $\mu$ s  
Maximum number of luminaires of this  
type per miniature circuit breaker:  
B 10A: 15 luminaires  
B 16A: 25 luminaires  
C 10A: 26 luminaires  
C 16A: 42 luminaires

**Light technique**

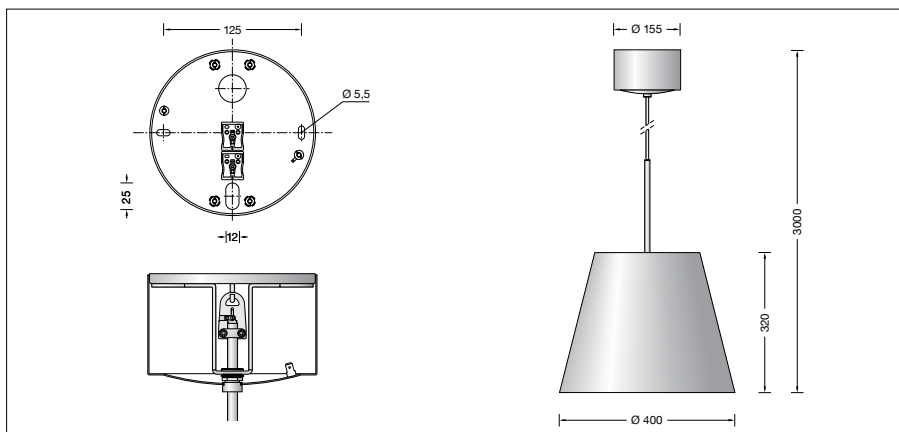
Luminaire data for the light planning program  
DIALux for outdoor lighting, street lighting and  
indoor lighting as well as luminaire data in  
EULUMDAT- and IES-format you will find on the  
BEGA web page [www.bega.com](http://www.bega.com).

**Lamp**

Module connected wattage	43.2 W
Luminaire connected wattage	48 W
Rated temperature	$t_a = 25$ °C
Ambient temperature	$t_{a \max} = 50$ °C

**50 738.2 K3**

Module designation	8x LED-0884/930
Colour temperature	3000 K
Colour rendering index	CRI > 90
Module luminous flux	7320 lm
Luminaire luminous flux	3716 lm
Luminaire luminous efficiency	77,4 lm/W

**Service life · Ambient temperature**

Ambient temperature $t_a = 25$ °C	
LED psu:	> 50,000 h
LED module:	> 200,000 h (L 80 B 50)
	50,000 h (L 90 B 50)

Ambient temperature $t_a = 50$ °C	
LED psu:	50,000 h
LED module:	59,000 h (L 80 B 50)
	50,000 h (L 80 B 50)

**Article No. 50 738.2**

Interior colour options

- matt aluminium
- matt brass
- matt copper

Code number **.2**  
Code number **.4**  
Code number **.6**