

BEGA**50 737.4**

Pendant luminaire for indoor use

Project · Reference number

Date

Product data sheet

Application

LED pendant luminaire · indoor luminaire
with impact resistant synthetic diffuser and
metal housing for light deflected upwards and
downwards.

Product description

LED pendant luminaire »STUDIO LINE«
Aluminium housing shield,
velvet black enamel finish,
Inside hue matt brass
Impact resistant synthetic diffuser, white
Mounting plate with 2 fixing
holes \varnothing 4.5 mm · 136 mm spacing
Black flex suspension $2 \times 0,5$ □
with 1 steel messenger wire
Overall length of luminaire approx. 2000 mm
Connection terminal 2.5 □
Earth conductor connection
Connecting terminal for digital control
LED power supply unit inside canopy
220-240 V \sim 0/50-60 Hz
DALI controllable
A basic isolation exists between power cable
and control line
Safety class I
CE – Conformity mark
Weight: 3.0 kg

Inrush current

Inrush current: 20 A / 400 μ s
Maximum number of luminaires of this
type per miniature circuit breaker:
B10A: 9 luminaires
B16A: 15 luminaires
C10A: 16 luminaires
C16A: 25 luminaires

Light technique

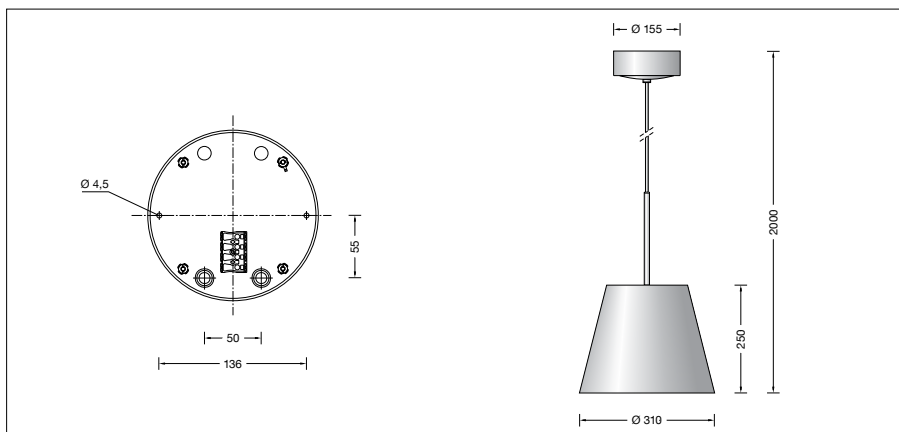
Luminaire data for the light planning program
DIALux for outdoor lighting, street lighting and
indoor lighting as well as luminaire data in
EULUMDAT- and IES-format you will find on the
BEGA web page www.bega.com.

Lamp

Module connected wattage	34.2 W
Luminaire connected wattage	38 W
Rated temperature	$t_a = 25$ °C
Ambient temperature	$t_{a \max} = 45$ °C

50 737.4 K3

Module designation	6x LED-0884/930
Colour temperature	3000 K
Colour rendering index	CRI > 90
Module luminous flux	5700 lm
Luminaire luminous flux	2223 lm
Luminaire luminous efficiency	58,5 lm/W

**Service life · Ambient temperature**

Ambient temperature $t_a = 25$ °C	
LED psu:	> 50,000 h
LED module:	193,000 h (L80 B50) 50,000 h (L90 B50)

Ambient temperature $t_a = 45$ °C	
LED psu:	50,000 h
LED module:	57,000 h (L80 B50) 50,000 h (L80 B50)

Article No. 50 737.4

Interior colour options

- matt aluminium
- matt brass
- matt copper

Code number **.2**
Code number **.4**
Code number **.6**