

BEGA**50 707.3**

Pendant luminaire for indoor use

Project · Reference number

Date

Product data sheet

Application

Pendant luminaire · indoor luminaire for free-radiating and uniform light made of hand-blown opal glass, satin matt. Metal luminaire housing.

Product description

Metal luminaire housing,
chrome finish
Hand-blown opal glass, satin matt
Black flex suspension $2 \times 0,75 \square$
Overall length of luminaire approx. 1500 mm
Connecting terminal $2.5 \square$
Earth conductor terminal
LED power supply unit inside canopy
 $220-240 \text{ V} \sim 0/50-60 \text{ Hz}$
Safety class I
CE – Conformity mark
Weight: 1.6 kg

Inrush current

Inrush current: 20 A / 80 μs
Maximum number of luminaires of this
type per miniature circuit breaker:
B 10A: 35 luminaires
B 16A: 56 luminaires
C 10A: 58 luminaires
C 16A: 94 luminaires

Light technique

Luminaire data for the light planning program
DIALux for outdoor lighting, street lighting and
indoor lighting as well as luminaire data in
EULUMDAT- and IES-format you will find on the
BEGA web page www.bega.com.

Lamp

Module connected wattage	5.9 W
Luminaire connected wattage	7.5 W
Rated temperature	$t_a = 25 \text{ }^\circ\text{C}$
Ambient temperature	$t_{a \text{ max}} = 60 \text{ }^\circ\text{C}$

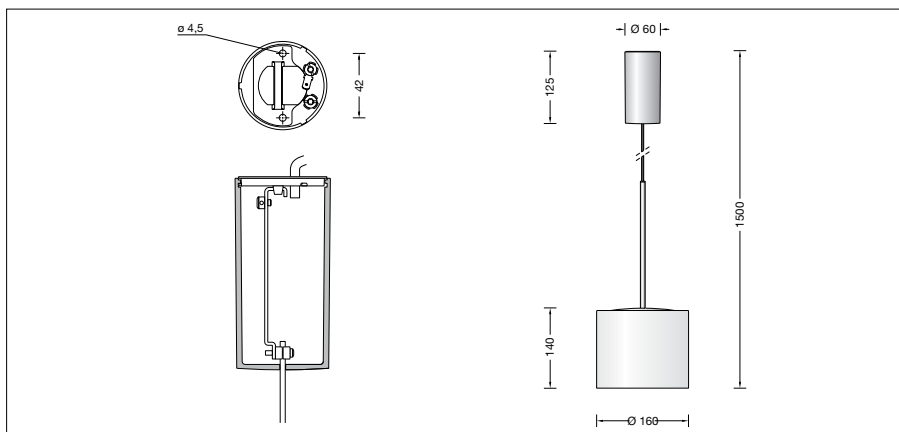
50 707.3 K3

Module designation	LED-0404/930
Colour temperature	3000 K
Colour rendering index	CRI > 90
Module luminous flux	925 lm
Luminaire luminous flux*	525 lm
Luminaire luminous efficiency*	70 lm/W

50 707.3 K4

Module designation	LED-0404/940
Colour temperature	4000 K
Colour rendering index	CRI > 90
Module luminous flux	955 lm
Luminaire luminous flux*	542 lm
Luminaire luminous efficiency*	72,3 lm/W

* preliminary data

**Lifetime of the LED**

Ambient temperature $t_a = 15 \text{ }^\circ\text{C}$
– at 50,000h: L 90 B 10
– at > 500,000h: L 70 B 50

Ambient temperature $t_a = 25 \text{ }^\circ\text{C}$
– at 50,000h: L 90 B 10
– at > 500,000h: L 70 B 50

max. ambient temperature $t_a = 60 \text{ }^\circ\text{C}$
– at 50,000h: L 80 B 50
– at 107,000h: L 70 B 50

Article No. 50 707.3

LED colour temperature optionally 3000 K
or 4000 K
3000 K – Article number + **K3**
4000 K – Article number + **K4**

Optional finishes

- White enamel
- Stainless steel
- Chrome

code number **.1**
code number **.2**
code number **.3**