

BEGA**50 707.2**

Pendant luminaire for indoor use

Project · Reference number

Date

Product data sheet**Application**

Pendant luminaire · indoor luminaire for free-radiating and uniform light made of hand-blown opal glass, satin matt. Metal luminaire housing.

Product description

Metal luminaire housing,
stainless steel finish
Hand-blown opal glass, satin matt
Black flex suspension $2 \times 0,75 \square$
Overall length of luminaire approx. 1500 mm
Connecting terminal $2.5 \square$
Earth conductor terminal
LED power supply unit inside canopy
220-240 V \sim 0/50-60 Hz
Safety class I
CE – Conformity mark

Inrush current

Inrush current: 20 A / 80 μ s
Maximum number of luminaires of this type per miniature circuit breaker:
B 10A: 35 luminaires
B 16A: 56 luminaires
C 10A: 58 luminaires
C 16A: 94 luminaires

Light technique

Luminaire data for the light planning program DIALux for outdoor lighting, street lighting and indoor lighting as well as luminaire data in EULUMDAT- and IES-format you will find on the BEGA web page www.bega.com.

Lamp

Module connected wattage 5.9 W
Luminaire connected wattage 7.5 W
Rated temperature $t_a = 25 \text{ }^\circ\text{C}$
Ambient temperature $t_{a \text{ max}} = 60 \text{ }^\circ\text{C}$

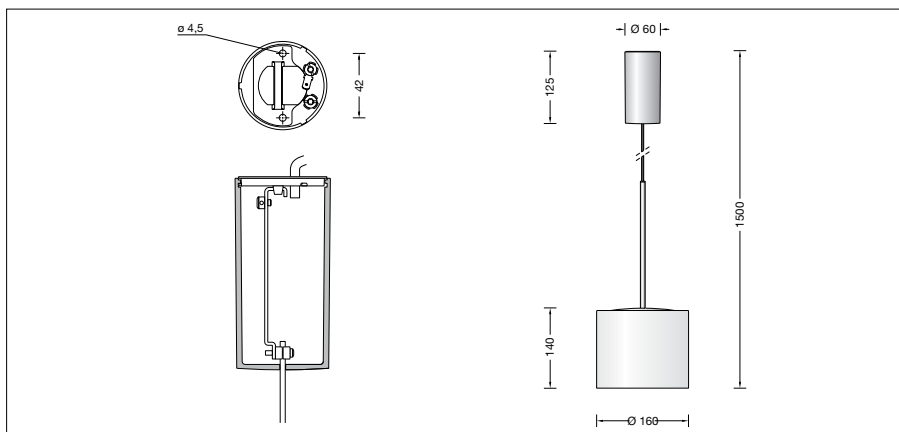
50 707.2 K3

Module designation LED-0404/930
Colour temperature 3000 K
Colour rendering index CRI > 90
Module luminous flux 925 lm
Luminaire luminous flux* 525 lm
Luminaire luminous efficiency* 70 lm/W

50 707.2 K4

Module designation LED-0404/940
Colour temperature 4000 K
Colour rendering index CRI > 90
Module luminous flux 955 lm
Luminaire luminous flux* 542 lm
Luminaire luminous efficiency* 72,3 lm/W

* preliminary data

**Lifetime of the LED**

Ambient temperature $t_a = 15 \text{ }^\circ\text{C}$
– at 50,000h: L 90 B 10
– at > 500,000h: L 70 B 50

Ambient temperature $t_a = 25 \text{ }^\circ\text{C}$
– at 50,000h: L 90 B 10
– at > 500,000h: L 70 B 50

max. ambient temperature $t_a = 60 \text{ }^\circ\text{C}$
– at 50,000h: L 80 B 50
– at 107,000h: L 70 B 50

Article No. 50 707.2

LED colour temperature optionally 3000 K or 4000 K
3000 K – Article number + **K3**
4000 K – Article number + **K4**

Optional finishes

- White enamel
- Stainless steel
- Chrome

code number **.1**
code number **.2**
code number **.3**