

BEGA**50 706.1**

Pendant luminaire for indoor use

Project · Reference number

Date

Product data sheet**Application**

Pendant luminaire · indoor luminaire for free-radiating and uniform light made of hand-blown opal glass, satin matt. Metal luminaire housing.

Product description

Metal luminaire housing,
finish white enamel
Hand-blown opal glass, satin matt
Black flex suspension $2 \times 0,75 \square$
Overall length of luminaire approx. 2000 mm
Connecting terminal DA DA for digital control
LED power supply unit inside canopy
220-240 V \sim 0/50-60 Hz
DC 170-280 V
DALI controllable
A basic isolation exists between power cable and control line
Safety class I
CE – Conformity mark
Weight: 2.4 kg

Light technique

Luminaire data for the light planning program DIALux for outdoor lighting, street lighting and indoor lighting as well as luminaire data in EULUMDAT- and IES-format you will find on the BEGA web page www.bega.com.

Lamp

| | |
|-----------------------------|---|
| Module connected wattage | 17.7 W |
| Luminaire connected wattage | 20.4 W |
| Rated temperature | $t_a = 25 \text{ }^\circ\text{C}$ |
| Ambient temperature | $t_{a \text{ max}} = 50 \text{ }^\circ\text{C}$ |

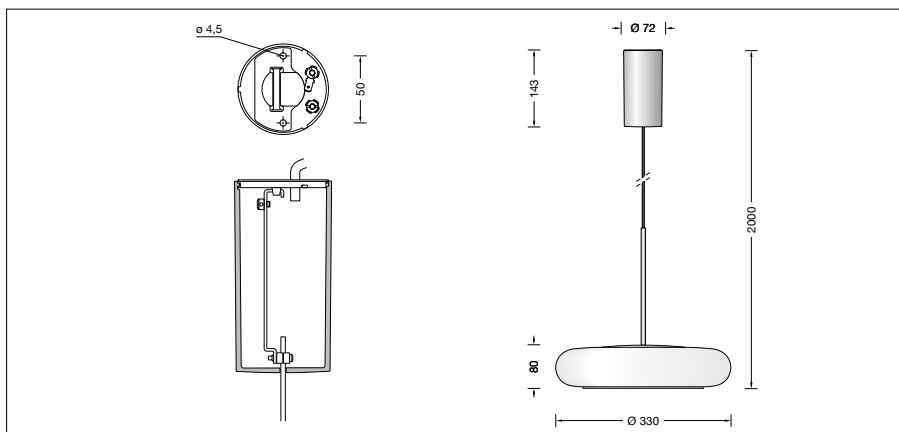
50 706.1 K3

| | |
|--------------------------------|--------------|
| Module designation | LED-0406/930 |
| Colour temperature | 3000 K |
| Colour rendering index | CRI > 90 |
| Module luminous flux | 2745 lm |
| Luminaire luminous flux* | 1725 lm |
| Luminaire luminous efficiency* | 84,6 lm/W |

50 706.1 K4

| | |
|--------------------------------|--------------|
| Module designation | LED-0406/940 |
| Colour temperature | 4000 K |
| Colour rendering index | CRI > 90 |
| Module luminous flux | 2830 lm |
| Luminaire luminous flux* | 1778 lm |
| Luminaire luminous efficiency* | 87,2 lm/W |

* preliminary data

**Service life of the LED**

Ambient temperature $t_a = 25 \text{ }^\circ\text{C}$
– at 412,000h: L70B50

max. ambient temperature $t_a = 50 \text{ }^\circ\text{C}$
– at 92,000h: L70B50

Article No. 50 706.1

LED colour temperature optionally 3000 K or 4000 K
3000 K – Article number + **K3**
4000 K – Article number + **K4**

Optional finishes

- White enamel
- Stainless steel
- Chrome

code number **.1**
code number **.2**
code number **.3**