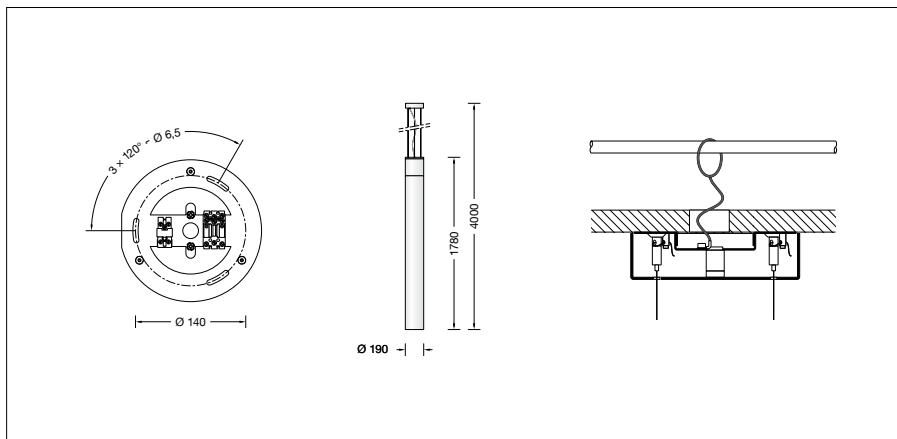


BEGA**50 673.1**

Large-area pendant luminaire for indoor use

Project · Reference number

Date



Product data sheet

Application

Pendant luminaire · indoor luminaire with impact resistant synthetic diffuser for free-radiating and uniform light.
Metal luminaire housing and canopy with steel wire suspension.
A wide beam downlight creates the downward-directed light.

Product description

Aluminium luminaire housing and metal canopy, finish white enamel
Impact resistant synthetic diffuser, white
Reflector made of pure anodised aluminium
Overall length of luminaire approx. 4000 mm
Transparent flex suspension $5 \times 0,75$ □
Steel wire suspension
Connecting terminal 2.5 □
with plug connection
Earth conductor connection
2-pole connection DA DA for digital control
LED power supply unit
220-240 V ~ 0/50-60 Hz
DC 176-276 V
During DC operation the LED power is reduced to 15 %
DALI controllable
A basic isolation exists between power cable and control line
Safety class I
CE – Conformity mark

Lamp**Synthetic cylinder**

Module connected wattage 105.6 W
Luminaire connected wattage 120 W
Rated temperature $t_a = 25$ °C
Service life criteria 50 000 h/L₇₀

50 673.1

Module designation LED-0694/930
Colour temperature 3000 K
Colour rendering index $R_a > 90$
Module luminous flux 16440 lm
Luminaire luminous flux 12534 lm
Luminaire luminous efficiency 104,4 lm/W

50 673.1 K4

Module designation LED-0694/940
Colour temperature 4000 K
Colour rendering index $R_a > 90$
Module luminous flux 16980 lm
Luminaire luminous flux 12945 lm
Luminaire luminous efficiency 107,9 lm/W

Downlight

Module connected wattage 16.8 W
Downlight connected wattage 19.3 W
Rated temperature $t_a = 25$ °C
Service life criteria 50 000 h/L₇₀

50 673.1

Module designation LED-0659/930
Colour temperature 3000 K
Colour rendering index $R_a > 90$
Module luminous flux 2440 lm
Luminaire luminous flux 1596 lm
Luminaire luminous efficiency 82,7 lm/W

50 673.1 K4

Module designation LED-0659/940
Colour temperature 4000 K
Colour rendering index $R_a > 90$
Module luminous flux 2480 lm
Luminaire luminous flux 1622 lm
Luminaire luminous efficiency 84 lm/W

Inrush current

Inrush current: 75 A / 200 μs
Maximum number of luminaires of this type per miniature circuit breaker:
B 10A: 4 luminaires
B 16A: 6 luminaires

Light technique

Luminaire data for the light planning program DIALux for outdoor lighting, street lighting and indoor lighting as well as luminaire data in EULUMDAT- and IES-format you will find on the BEGA web page www.bega.com.

Article No. 50 673.1

LED colour temperature optionally 3000 K or 4000 K
3000 K – Article number + **K3**
4000 K – Article number + **K4**