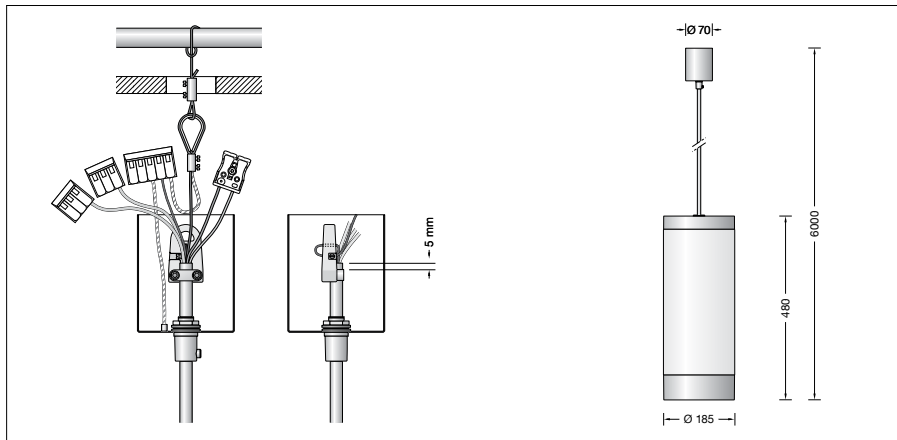


BEGA**50 609.1**

Pendant luminaire · Downlight for indoor use

Project · Reference number

Date



Product data sheet

Application

Enclosed and unshielded pendant luminaire · indoor luminaire for additive colour mixing RGBW with hand-blown opal glass and metal housing. The character of the opal glass creates a smooth and uniform light distribution in the room. A wide beam downlight creates the downward-directed light. Luminaire with additional light emission upwards. The luminaire can be controlled by DALI colour light control (DT8, RGBWAF, xy). We recommend our BEGA Control system for this purpose.

Product description

Luminaire housing made of aluminium and metal canopy, white enamel finish
Hand-blown opal glass, white
Reflector made of pure, high-gloss anodized aluminium
Partially matt crystal glass · Downlight
Crystal glass with light diffusing structure above
Light distribution separately controllable
White flex suspension $5 \times 0,75$ □
with 2 steel messenger wires
Overall length of luminaire approx. 6000 mm
Connecting terminals 2.5 □
Earth conductor connection
Connecting terminal for digital control
LED power supply unit
220-240 V \sim 0/50-60 Hz
DALI controllable
A basic isolation exists between power cable and control line
Safety class I
CE – Conformity mark
Weight: 7.8 kg

Lamp**Opal glass**

Module connected wattage	26.8 W
Luminaire connected wattage	31.5 W
Rated temperature	$t_a = 25$ °C
Ambient temperature	$t_{a \max} = 30$ °C
Module designation	4x LED-0920/RGBW
Colour rendering index	$R_a > 90$
Luminaire luminous flux	1183 lm
Luminaire luminous efficiency	37,6 lm/W

Downlight

Module connected wattage	17 W
Downlight connected wattage	19.5 W
Rated temperature	$t_a = 25$ °C
Ambient temperature	$t_{a \max} = 30$ °C
K3	
Module designation	LED-0678/930
Colour temperature	3000 K
Colour rendering index	$R_a > 90$
Module luminous flux	2450 lm
Luminaire luminous flux	1812 lm
Luminaire luminous efficiency	92,9 lm/W

K4

Module designation	LED-0678/940
Colour temperature	4000 K
Colour rendering index	$R_a > 90$
Module luminous flux	2520 lm
Luminaire luminous flux	1864 lm
Luminaire luminous efficiency	95,6 lm/W

Light emission upwards

Module connected wattage	13,4 W
Uplight connected wattage	15.6 W
Rated temperature	$t_a = 25$ °C
Ambient temperature	$t_{a \max} = 30$ °C
Module designation	2x LED-0893/RGBW
Colour rendering index	$R_a > 90$
Luminaire luminous flux	1058 lm
Luminaire luminous efficiency	67,8 lm/W

Service life of the LED

Ambient temperature $t_a = 25$ °C
– at 262,000h: L70B50

max. ambient temperature $t_a = 30$ °C
– at 193,000h: L70B50

Inrush current

Inrush current: 5 A / 50 μ s
Maximum number of luminaires of this type per miniature circuit breaker:
B10A: 31 luminaires
B16A: 50 luminaires
C10A: 52 luminaires
C16A: 85 luminaires

Lighting technology

Half beam angle 84°
Luminaire data for the light planning program DIALux for outdoor lighting, street lighting and indoor lighting, as well as luminaire data in EULUMDAT and IES format are available on the BEGA website at www.bega.com.

Article No. 50 609.1

LED colour temperature optionally 3000 K or 4000 K
3000 K – Article number + **K3**
4000 K – Article number + **K4**