

**BEGA****50 600.5**

Pendant luminaire for indoor use

Project · Reference number

Date

**Product data sheet****Application**

LED pendant luminaire · indoor luminaire for brilliant light with crystal glass, partially satin mat in the interior.

Metal luminaire housing and canopy with steel wire suspension.

**Product description**

Metal luminaire housing and canopy, finish enamel glossy black

Partially matt crystal glass

Transparent flex suspension  $2 \times 0,75 \square$

Steel wire suspension

Overall length of luminaire approx. 2000 mm

Connection terminal  $2.5 \square$

Earth conductor connection

Connecting terminal for digital control

LED power supply unit

220-240 V  $\sim$  0/50-60 Hz

DC 176-280 V

DALI controllable

A basic isolation exists between power cable and control line

Safety class I

**CE** – Conformity mark

Weight: 6.7 kg

**Inrush current**

Inrush current: 5 A / 50  $\mu$ s

Maximum number of luminaires of this type per miniature circuit breaker:

B10A: 31 luminaires

B16A: 50 luminaires

C10A: 52 luminaires

C16A: 85 luminaires

**Light technique**

Luminaire data for the light planning program DIALux for outdoor lighting, street lighting and indoor lighting as well as luminaire data in EULUMDAT- and IES-format you will find on the BEGA web page [www.bega.com](http://www.bega.com).

**Lamp**

Module connected wattage 19.6 W

Luminaire connected wattage 22.8 W

Rated temperature  $t_a = 25 \text{ }^\circ\text{C}$

Ambient temperature  $t_{a \text{ max}} = 50 \text{ }^\circ\text{C}$

**50 600.5 K3**

Module designation

2x LED-0626/930+ 2x LED-0627/930

Colour temperature 3000 K

Colour rendering index CRI > 90

Module luminous flux 2690 lm

Luminaire luminous flux 1630 lm

Luminaire luminous efficiency 71,5 lm/W

**50 600.5 K4**

Module designation

2x LED-0626/940+ 2x LED-0627/940

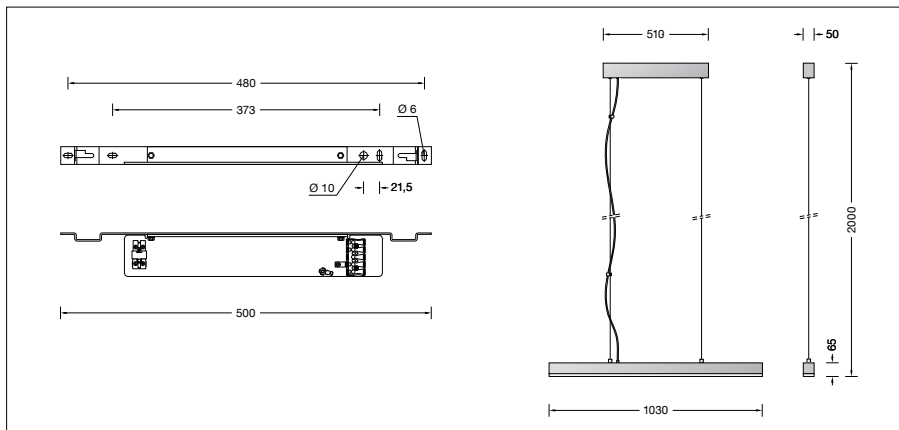
Colour temperature 4000 K

Colour rendering index CRI > 90

Module luminous flux 2780 lm

Luminaire luminous flux 1684 lm

Luminaire luminous efficiency 73,9 lm/W

**Service life of the LED**

Ambient temperature  $t_a = 25 \text{ }^\circ\text{C}$

– at > 500,000h: L70B50

max. ambient temperature  $t_a = 50 \text{ }^\circ\text{C}$

– at 194,000h: L70B50

**Article No. 50 600.5**

LED colour temperature optionally 3000 K or 4000 K

3000 K – Article number + **K3**

4000 K – Article number + **K4**

Finish options

• Enamel, white

• Stainless steel

• Enamel, glossy black

Code number **.1**

Code number **.2**

Code number **.5**