

BEGA**50 600.1**

Pendant luminaire for indoor use

Project · Reference number

Date

Product data sheet**Application**

LED pendant luminaire · indoor luminaire for brilliant light with crystal glass, partially satin mat in the interior.

Metal luminaire housing and canopy with steel wire suspension.

Product description

Metal luminaire housing and canopy, finish white enamel

Partially matt crystal glass

Transparent flex suspension $2 \times 0,75 \square$

Steel wire suspension

Overall length of luminaire approx. 2000 mm

Connection terminal 2.5 \square

Earth conductor connection

Connecting terminal for digital control

LED power supply unit

220-240 V \sphericalangle 0/50-60 Hz

DC 176-280 V

DALI controllable

A basic isolation exists between power cable and control line

Safety class I

CE – Conformity mark

Weight: 6.7 kg

Inrush current

Inrush current: 5 A / 50 μ s

Maximum number of luminaires of this type per miniature circuit breaker:

B10A: 31 luminaires

B16A: 50 luminaires

C10A: 52 luminaires

C16A: 85 luminaires

Light technique

Luminaire data for the light planning program DIALux for outdoor lighting, street lighting and indoor lighting as well as luminaire data in EULUMDAT- and IES-format you will find on the BEGA web page www.bega.com.

Lamp

Module connected wattage 19.6 W

Luminaire connected wattage 22.8 W

Rated temperature $t_a = 25 \text{ }^\circ\text{C}$

Ambient temperature $t_{a \text{ max}} = 50 \text{ }^\circ\text{C}$

50 600.1 K3

Module designation

2x LED-0626/930+ 2x LED-0627/930

Colour temperature 3000 K

Colour rendering index CRI > 90

Module luminous flux 2690 lm

Luminaire luminous flux 1630 lm

Luminaire luminous efficiency 71,5 lm/W

50 600.1 K4

Module designation

2x LED-0626/940+ 2x LED-0627/940

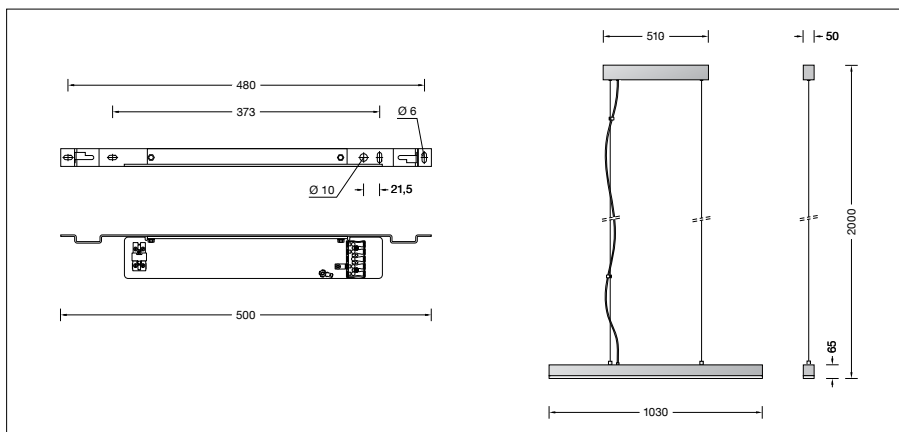
Colour temperature 4000 K

Colour rendering index CRI > 90

Module luminous flux 2780 lm

Luminaire luminous flux 1684 lm

Luminaire luminous efficiency 73,9 lm/W

**Service life of the LED**

Ambient temperature $t_a = 25 \text{ }^\circ\text{C}$

– at > 500,000h: L70B50

max. ambient temperature $t_a = 50 \text{ }^\circ\text{C}$

– at 194,000h: L70B50

Article No. 50 600.1

LED colour temperature optionally 3000 K or 4000 K

3000 K – Article number + **K3**

4000 K – Article number + **K4**

Finish options

- Enamel, white Code number **.1**
- Stainless steel Code number **.2**
- Enamel, glossy black Code number **.5**