

**BEGA****50 584.4**

Pendant luminaire for indoor use

Project · Reference number

Date

**Product data sheet****Application**

LED pendant luminaire · indoor luminaire with aluminium housing for non-glare light deflected downwards.

Some of the light is emitted upwards and softly highlights the exterior finish of the upper luminaire cylinder.

**Product description**

LED pendant luminaire »STUDIO LINE«

Aluminium luminaire housing,

velvet white enamel finish,

Inside hue matt brass

Light-diffusing silicone lens

Mounting plate with 2 fixing

holes  $\varnothing$  4.5 mm · 50 mm spacing

White flex suspension  $2 \times 0.5^{\square}$

Overall length of luminaire approx. 2000 mm

Connecting terminals 1,5 $^{\square}$

Earth conductor terminal

LED power supply unit inside canopy

220-240 V  $\sim$  0/50-60 Hz

Safety class I

**CE** – Conformity mark

Weight: 0.7 kg

**Lamp**

Module connected wattage 15.4 W

Luminaire connected wattage 17.8 W

Rated temperature  $t_a = 25^{\circ}\text{C}$

Ambient temperature  $t_{a\text{max}} = 35^{\circ}\text{C}$

**50 584.4 K3**

Module designation LED-0910/930

Colour temperature 3000 K

Colour rendering index CRI > 90

Module luminous flux 1780 lm

Luminaire luminous flux 792 lm

Luminaire luminous efficiency 44,5 lm/W

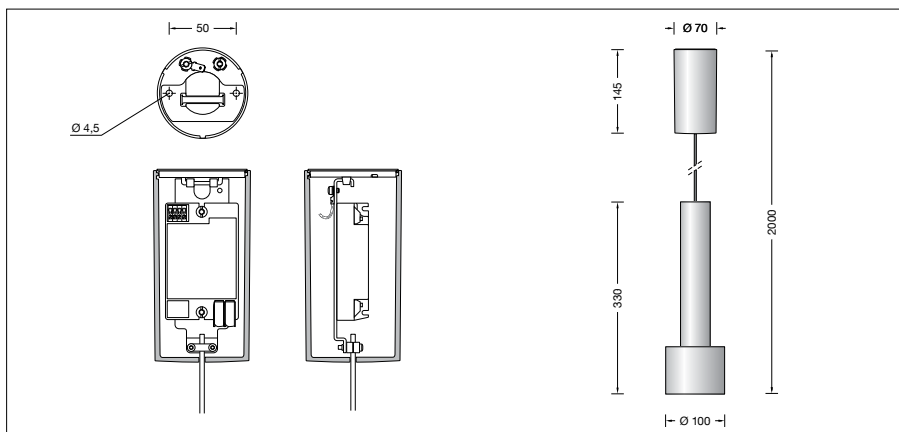
**Service life of the LED**

Ambient temperature  $t_a = 25^{\circ}\text{C}$

– at 103,000h: L70B50

max. ambient temperature  $t_a = 35^{\circ}\text{C}$

– at 60,000h: L70B50

**Article No. 50 584.4**

Interior colour options

- matt aluminium
- matt brass
- matt copper

Code number **.2**

Code number **.4**

Code number **.6**