

BEGA**50 583.3**

Wall luminaire for indoor use



Project · Reference number

Date

Product data sheet

Application

LED wall luminaire · indoor luminaire with hand-blown opal glass and metal bracket for many lighting tasks.

They are ideal for places where a soft and uniform lighting distribution is required.

Product description

Metal luminaire housing,
finish polished aluminium
Opal glass with screw neck
Mounting plate with 2 elongated holes
Width 5.5 mm · 405 mm spacing
Connection terminal 2.5[□]
Earth conductor connection
2-pole connecting terminal for
digital control
LED power supply unit
220-240 V ~ 0/50-60 Hz
DALI controllable
A basic isolation exists between power cable
and control line
Safety class I
Safety class I
 – Safety mark
 – Conformity mark
 Weight: 6.8 kg

Lamp

Module connected wattage	57.6 W
Luminaire connected wattage	66 W
Rated temperature	$t_a = 25\text{ °C}$
Ambient temperature	$t_{a\text{ max}} = 55\text{ °C}$

50 583.3 K3

Module designation	6x LED-0878/930
Colour temperature	3000 K
Colour rendering index	CRI > 90
Module luminous flux	9420 lm
Luminaire luminous flux	7190 lm
Luminaire luminous efficiency	108,9 lm/W

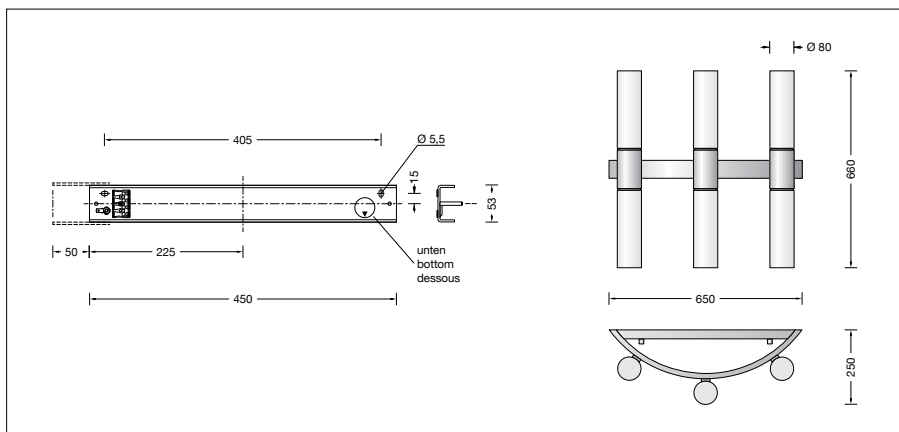
50 583.3 K4

Module designation	6x LED-0878/940
Colour temperature	4000 K
Colour rendering index	CRI > 90
Module luminous flux	9720 lm
Luminaire luminous flux	7419 lm
Luminaire luminous efficiency	112,4 lm/W

Service life of the LED

Ambient temperature $t_a = 25\text{ °C}$
 – at 396,000h: L70B50

max. ambient temperature $t_a = 55\text{ °C}$
 – at 68,000h: L70B50



Article No. 50 583.3

LED colour temperature optionally 3000 K
 or 4000 K
 3000 K – Article number + **K3**
 4000 K – Article number + **K4**