

BEGA**50 549.6**

Pendant luminaire for indoor use

Project · Reference number

Date

Product data sheet

Application

LED pendant luminaire · indoor luminaire
with impact resistant synthetic diffuser and
metal housing for non-glare light deflected
downwards.

Product description

LED pendant luminaire »STUDIO LINE«
Aluminium luminaire housing,
velvet white enamel finish
Inside hue matt copper
Impact resistant synthetic diffuser, white,
with bayonet closure
Mounting plate with 2 fixing
holes \varnothing 4.5 mm · 50 mm spacing
White flex suspension $5 \times 0,7$ □
with 1 steel messenger wire
Overall length of luminaire approx. 2000 mm
Connection terminal 2.5 □
Earth conductor connection
Connecting terminal for digital control
LED power supply unit
220-240 V \approx 0/50-60 Hz
DALI controllable
A basic isolation exists between power cable
and control line
Safety class I
CE – Conformity mark
Weight: 5.9 kg

Light technique

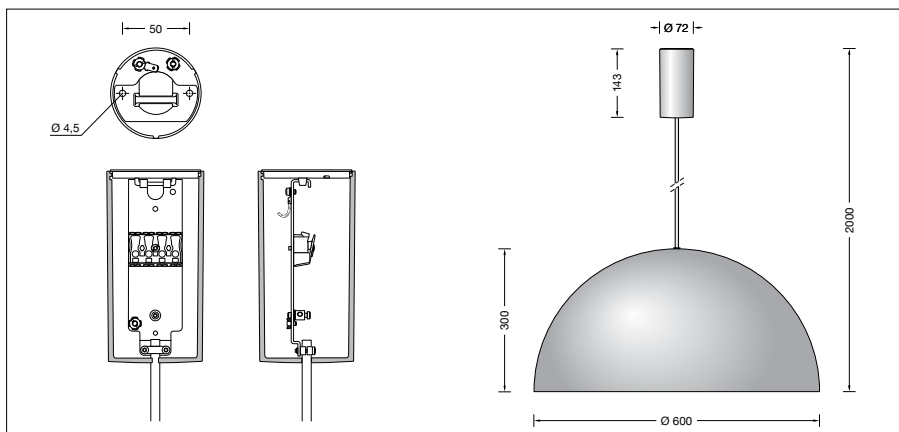
Luminaire data for the light planning program
DIALux for outdoor lighting, street lighting and
indoor lighting as well as luminaire data in
EULUMDAT- and IES-format you will find on the
BEGA web page www.bega.com.

Lamp

Module connected wattage	43.5 W
Luminaire connected wattage	47.8 W
Rated temperature	$t_a = 25$ °C
Ambient temperature	$t_{a \max} = 40$ °C

50 549.6 K3

Colour temperature	3000 K
Colour rendering index	CRI > 90
Module luminous flux	5505 lm
Luminaire luminous flux	2725 lm
Luminaire luminous efficiency	57 lm/W

**Service life of the LED**

Ambient temperature $t_a = 25$ °C
– at 107,000h: L70B50

max. ambient temperature $t_a = 40$ °C
– at 45,000h: L70B50

Ambient temperature $t_{a \max} = 50$ °C (75 %)
LED psu: 50,000h
LED module: 50,000h

BEGA Thermal Control® protects temperature-sensitive luminaire components by temporarily limiting the nominal power at high temperatures.

Article No. 50 549.6

Interior colour options

- white
- matt aluminium
- matt brass
- matt copper

Code number **.1**Code number **.2**Code number **.4**Code number **.6**