

BEGA**50 499.3**

Large-area pendant luminaire for indoor use

Project · Reference number

Date

Product data sheet

Application

LED large-area pendant luminaire for light directed upwards and downwards with a very high light output and high uniform light distribution. Metal housing and 4 steel suspension wires.

Product description

LED large-area pendant luminaire »DUALA«
Luminaire housing and canopy made of aluminium, finish Polished aluminium
Impact resistant synthetic diffuser, white
Silicone gasket
Transparent flex suspension $5 \times 0,75$ □
Steel wire suspension
Overall length of luminaire approx. 4000 mm
Connecting terminal 2.5 □
with plug connection
Earth conductor connection
2-pole connection for digital control
LED power supply unit
220-240 V \sim 0/50-60 Hz
DC 176-276 V
During DC operation the LED power is reduced to 15 %
DALI controllable
A basic isolation exists between power cable and control line
Safety class I
CE – Conformity mark
Weight: 27.0 kg

Inrush current

Inrush current: 53 A / 400 μ s
Maximum number of luminaires of this type per miniature circuit breaker:
B10A: 2 luminaires
B16A: 3 luminaires
C10A: 2 luminaires
C16A: 3 luminaires

Lamp

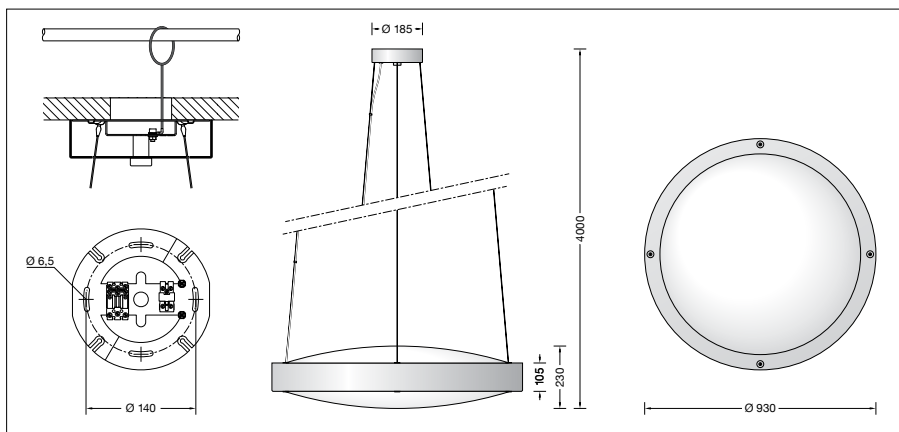
Module connected wattage 184.8 W
Luminaire connected wattage 208 W
Rated temperature $t_a = 25$ °C
Ambient temperature $t_{a \max} = 40$ °C

50 499.3 K3

Module designation LED-0704/930
Colour temperature 3000 K
Colour rendering index CRI > 90
Module luminous flux 29920 lm
Luminaire luminous flux 26014 lm
Luminaire luminous efficiency 125,1 lm/W

50 499.3 K4

Module designation LED-0704/940
Colour temperature 4000 K
Colour rendering index CRI > 90
Module luminous flux 30840 lm
Luminaire luminous flux 26814 lm
Luminaire luminous efficiency 128,9 lm/W

**Service life of the LED**

Ambient temperature $t_a = 25$ °C
– at > 500,000h: L 70 B 50

max. ambient temperature $t_a = 40$ °C
– at 198,000h: L 70 B 50

Light technique

Luminaire data for the light planning program DIALux for outdoor lighting, street lighting and indoor lighting as well as luminaire data in EULUMDAT- and IES-format you will find on the BEGA web page www.bega.com.

Article No. 50 499.3

LED colour temperature optionally 3000 K or 4000 K
3000 K – Article number + **K3**
4000 K – Article number + **K4**

Optional finishes

- White enamel
- Polished aluminium

Code number **.1**
Code number **.3**