

BEGA**50 499.1**

Large-area pendant luminaire for indoor use

Project · Reference number

Date

Product data sheet

Application

Large-area LED pendant luminaire for direct light distribution upwards and downwards with high light power and high uniform light distribution. Metal luminaire housing and 4 steel suspension wires.

Product description

Large-area LED pendant luminaire »DUALA«

Luminaire housing and canopy made of Aluminium, finish White enamel

Impact resistant synthetic diffuser, white

Silicone gasket

Transparent flex suspension $5 \times 0,75$ □

Steel wire suspension

Overall length of luminaire approx. 4000 mm

Connecting terminal 2.5 □

with plug connection

Earth conductor connection

2-pole connection for digital control

LED power supply unit

220-240 V \sim 0/50-60 Hz

DC 176-276 V

During DC operation the LED power

is reduced to 15 %

DALI controllable

A basic isolation exists between power cable and control line

Safety class I

CE – Conformity mark

Weight: 27.0 kg

Inrush current

Inrush current: 53 A / 400 μ s

Maximum number of luminaires of this type per miniature circuit breaker:

B10A: 2 luminaires

B16A: 3 luminaires

C10A: 2 luminaires

C16A: 3 luminaires

Lamp

Module connected wattage 184.8 W

Luminaire connected wattage 208 W

Rated temperature $t_a = 25$ °C

Ambient temperature $t_{a \max} = 40$ °C

50 499.1 K3

Module designation LED-0704/930

3000 K

Colour rendering index CRI > 90

Module luminous flux 29920 lm

Luminaire luminous flux 26014 lm

Luminaire luminous efficiency 125,1 lm/W

50 499.1 K4

Module designation LED-0704/940

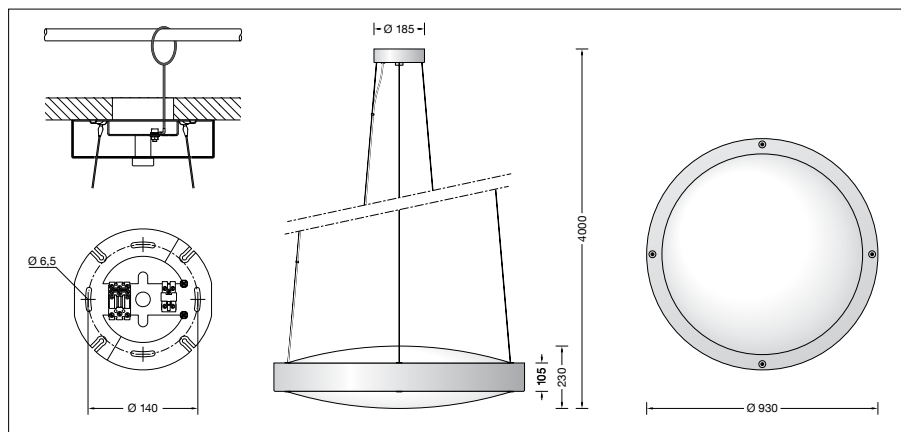
4000 K

Colour rendering index CRI > 90

Module luminous flux 30840 lm

Luminaire luminous flux 26814 lm

Luminaire luminous efficiency 128,9 lm/W

**Service life of the LED**

Ambient temperature $t_a = 25$ °C

– at > 500,000h: L 70 B 50

max. ambient temperature $t_a = 40$ °C

– at 198,000h: L 70 B 50

Light technique

Luminaire data for the light planning program DIALux for outdoor lighting, street lighting and indoor lighting as well as luminaire data in EULUMDAT- and IES-format you will find on the BEGA web page www.bega.com.

Article No. 50 499.1

LED colour temperature optionally 3000 K or 4000 K

3000 K – Article number + **K3**

4000 K – Article number + **K4**

Finish options

- Enamel, white
- Polished aluminium

Code number **.1**

Code number **.3**