

Large-area pendant luminaire for indoor use

Project · Reference number

Date

Product data sheet**Application**

Large-area LED pendant luminaire for direct light distribution upwards and downwards with high light power and high uniform light distribution. Metal luminaire housing and 4 steel suspension wires.

Product description

Large-area LED pendant luminaire »DUALA«

Luminaire housing and canopy made of Aluminium, finish Polished aluminium

Impact resistant synthetic diffuser, white

Silicone gasket

Transparent flex suspension $5 \times 0,75$ □

Steel wire suspension

Overall length of luminaire approx. 4000 mm

Connecting terminal 2.5[□]

with plug connection

Earth conductor connection

2-pole connection for digital control

LED power supply unit

220-240 V \sim 0/50-60 Hz

DC 176-276 V

During DC operation the LED power

is reduced to 15 %

DALI controllable

A basic isolation exists between power cable and control line

Safety class I

CE – Conformity mark

Weight: 15.1 kg

Inrush current

Inrush current: 92 A / 400 μ s

Maximum number of luminaires of this

type per miniature circuit breaker:

B 10A: 4 luminaires

B 16A: 6 luminaires

C 10A: 4 luminaires

C 16A: 6 luminaires

Lamp

Module connected wattage 133.2 W

Luminaire connected wattage 153 W

Rated temperature $t_a = 25$ °C

Ambient temperature $t_{a \max} = 25$ °C

50 498.3 K3

Module designation 12x LED-0931/930

Colour temperature 3000 K

Colour rendering index CRI > 90

Module luminous flux 20100 lm

Luminaire luminous flux 16259 lm

Luminaire luminous efficiency 106,3 lm/W

50 498.3 K4

Module designation 12x LED-0931/940

Colour temperature 4000 K

Colour rendering index CRI > 90

Module flux 20460 lm

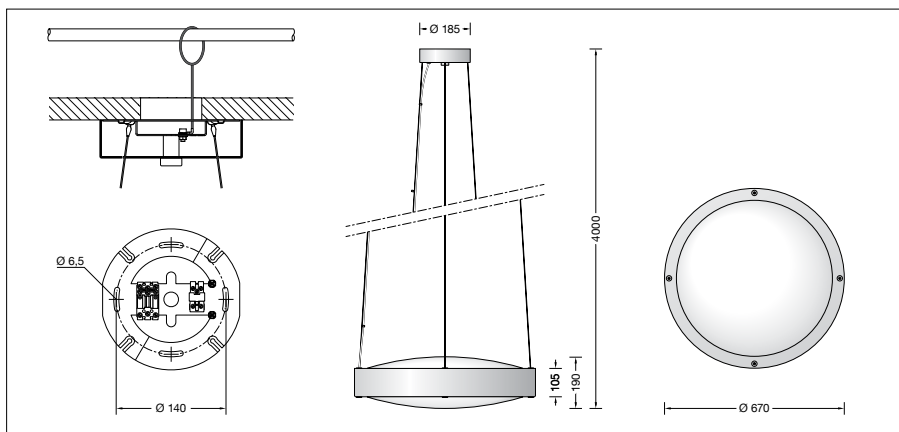
Luminaire luminous flux 16550 lm

Luminaire luminous efficiency 108,2 lm/W

Service life of the LED

max. ambient temperature $t_a = 25$ °C

– at 195,000h: L70B50

**Light technique**

Luminaire data for the light planning program DIALux for outdoor lighting, street lighting and indoor lighting as well as luminaire data in EULUMDAT- and IES-format you will find on the BEGA web page www.bega.com.

Article No. 50 498.3

LED colour temperature optionally 3000 K or 4000 K

3000 K – Article number + **K3**

4000 K – Article number + **K4**

Finish options

• Enamel, white

• Polished aluminium

Code number **.1**

Code number **.3**