

Large-area pendant luminaire for indoor use

Project · Reference number

Date

Product data sheet**Application**

Large-area LED pendant luminaire for direct light distribution upwards and downwards with high light power and high uniform light distribution. Metal luminaire housing and 4 steel suspension wires.

Product description

Large-area LED pendant luminaire »DUALA«
Luminaire housing and canopy made of Aluminium, finish White enamel
Impact resistant synthetic diffuser, white
Silicone gasket
Transparent flex suspension $5 \times 0,75$ □
Steel wire suspension
Overall length of luminaire approx. 4000 mm
Connecting terminal 2.5 □
with plug connection
Earth conductor connection
2-pole connection for digital control
LED power supply unit
220-240 V \sphericalangle 0/50-60 Hz
DC 176-276 V
During DC operation the LED power is reduced to 15 %
DALI controllable
A basic isolation exists between power cable and control line
Safety class I
CE – Conformity mark
Weight: 15.1 kg

Inrush current

Inrush current: 92 A / 400 μ s
Maximum number of luminaires of this type per miniature circuit breaker:
B 10A: 4 luminaires
B 16A: 6 luminaires
C 10A: 4 luminaires
C 16A: 6 luminaires

Lamp

Module connected wattage 133.2 W
Luminaire connected wattage 153 W
Rated temperature $t_a = 25$ °C
Ambient temperature $t_{a \max} = 25$ °C

50 498.1 K3

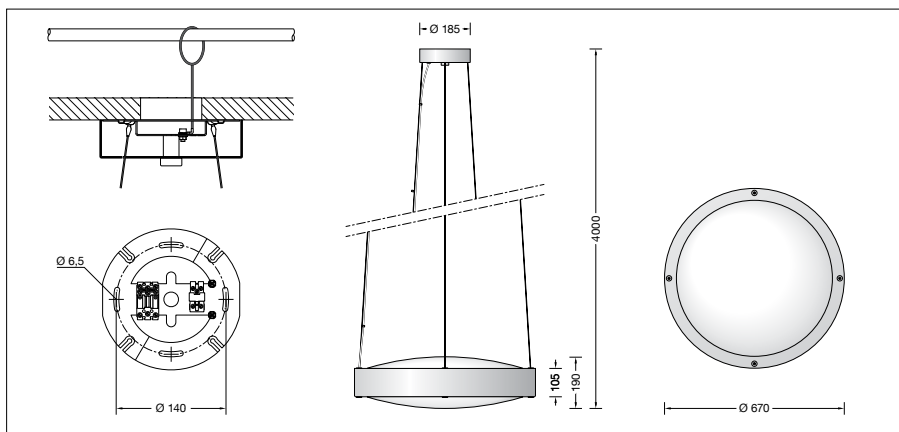
Module designation 12x LED-0931/930
Colour temperature 3000 K
Colour rendering index CRI > 90
Module luminous flux 20100 lm
Luminaire luminous flux 16259 lm
Luminaire luminous efficiency 106,3 lm/W

50 498.1 K4

Module designation 12x LED-0931/940
Colour temperature 4000 K
Colour rendering index CRI > 90
Module flux 20460 lm
Luminaire luminous flux 16550 lm
Luminaire luminous efficiency 108,2 lm/W

Service life of the LED

max. ambient temperature $t_a = 25$ °C
– at 195,000h: L70B50

**Light technique**

Luminaire data for the light planning program DIALux for outdoor lighting, street lighting and indoor lighting as well as luminaire data in EULUMDAT- and IES-format you will find on the BEGA web page www.bega.com.

Article No. 50 498.1

LED colour temperature optionally 3000 K or 4000 K
3000 K – Article number + **K3**
4000 K – Article number + **K4**

Finish options

• Enamel, white

• Polished aluminium

Code number **.1**

Code number **.3**