

**BEGA****50 402.2**

Pendant luminaire for indoor use

Project · Reference number

Date

**Product data sheet****Application**

LED pendant luminaire · Indoor luminaire with impact-resistant synthetic cover and aluminium housing.

A luminaire with unshielded and uniform light distribution.

Bands of light of different lengths can be created by installing single luminaires in rows for linear indoor illumination.

**Product description**

Luminaire housing made of Aluminium, matt surface finish

Light-diffusing synthetic luminaire cover

Mounting plate with 2 fixing

holes  $\varnothing$  4.5 mm · 42 mm spacing

Black flex suspension  $5 \times 0,75$  □

Steel wire suspension

Overall length of luminaire approx. 2000 mm

Connection terminal 2.5 □

Earth conductor connection

2-pole connecting terminal for digital control

LED power supply unit

220-240 V  $\sim$  0/50-60 Hz

DALI controllable

A basic isolation exists between power cable and control line

Safety class I

CE – Conformity mark

Weight: 8.5 kg

**Inrush current**

Inrush current: 132 A / 400  $\mu$ s

Maximum number of luminaires of this type per miniature circuit breaker:

B 10A: 2 luminaires

B 16A: 4 luminaires

C 10A: 2 luminaires

C 16A: 4 luminaires

**Lamp**

Module connected wattage 194.4 W

Luminaire connected wattage 218 W

Rated temperature  $t_a = 25$  °C

Ambient temperature  $t_{a \max} = 30$  °C

**50 402.2 K3**

Module designation

12x LED-0694/930 + 6x LED-0853/930

Colour temperature 3000 K

Colour rendering index CRI > 90

Module luminous flux 30150 lm

Luminaire luminous flux\* 23820 lm

Luminaire luminous efficiency\* 109,3 lm/W

**50 402.2 K4**

Module designation

12x LED-0694/940 + 6x LED-0853/940

Colour temperature 4000 K

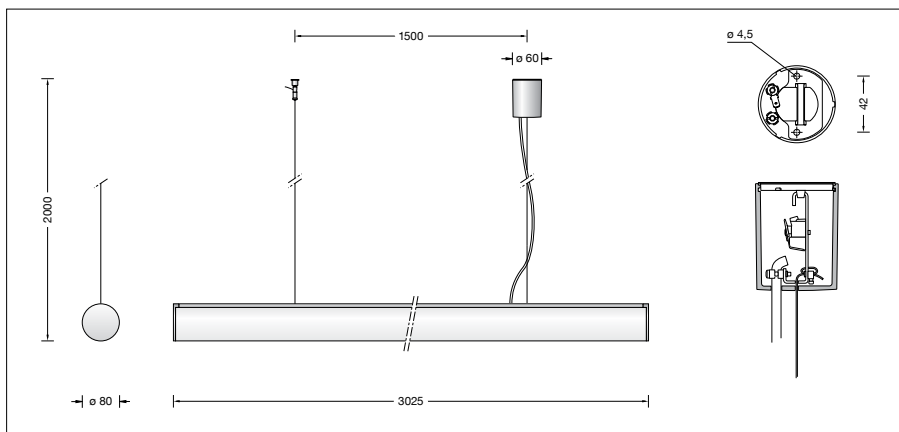
Colour rendering index CRI > 90

Module luminous flux 31110 lm

Luminaire luminous flux\* 24578 lm

Luminaire luminous efficiency\* 112,7 lm/W

\* preliminary data

**Service life of the LED**

Ambient temperature  $t_a = 25$  °C

– at 158,000h: L70B50

max. ambient temperature  $t_a = 30$  °C

– at 118,000h: L70B50

**Light technique**

Luminaire data for the light planning program DIALux for outdoor lighting, street lighting and indoor lighting as well as luminaire data in EULUMDAT- and IES-format you will find on the BEGA web page [www.bega.com](http://www.bega.com).

**Article No. 50 402.2**

LED colour temperature optionally 3000 K or 4000 K

3000 K – Article number + **K3**

4000 K – Article number + **K4**

Finish options

- Enamel, white
- Aluminium, matt

Code number **.1**

Code number **.2**