

BEGA**50 402.1**

Pendant luminaire for indoor use

Project · Reference number

Date

Product data sheet**Application**

LED pendant luminaire · Indoor luminaire with impact-resistant synthetic cover and aluminium housing.

A luminaire with unshielded and uniform light distribution.

Bands of light of different lengths can be created by installing single luminaires in rows for linear indoor illumination.

Product description

Luminaire housing made of aluminium

White enamel finish

Light-diffusing synthetic luminaire cover

Mounting plate with 2 fixing

holes \varnothing 4.5 mm · 42 mm spacing

White flex suspension 5×0.75 □

Steel wire suspension

Overall length of luminaire approx. 2000 mm

Connection terminal 2.5 □

Earth conductor connection

2-pole connecting terminal for digital control

LED power supply unit

220-240 V \sim 0/50-60 Hz

DALI controllable

A basic isolation exists between power cable and control line

Safety class I

Weight: 8.5 kg

Inrush current

Inrush current: 132 A / 400 μ s

Maximum number of luminaires of this type per miniature circuit breaker:

B10A: 2 luminaires

B16A: 4 luminaires

C10A: 2 luminaires

C16A: 4 luminaires

Lamp

Module connected wattage 194.4 W

Luminaire connected wattage 218 W

Rated temperature $t_a = 25$ °C

Ambient temperature $t_{a,max} = 30$ °C

50 402.1 K3

Module designation

12x LED-0694/930 + 6x LED-0853/930

Colour temperature 3000 K

Colour rendering index CRI > 90

Module luminous flux 30150 lm

Luminaire luminous flux* 23820 lm

Luminaire luminous efficiency* 109,3 lm/W

50 402.1 K4

Module designation

12x LED-0694/940 + 6x LED-0853/940

Colour temperature 4000 K

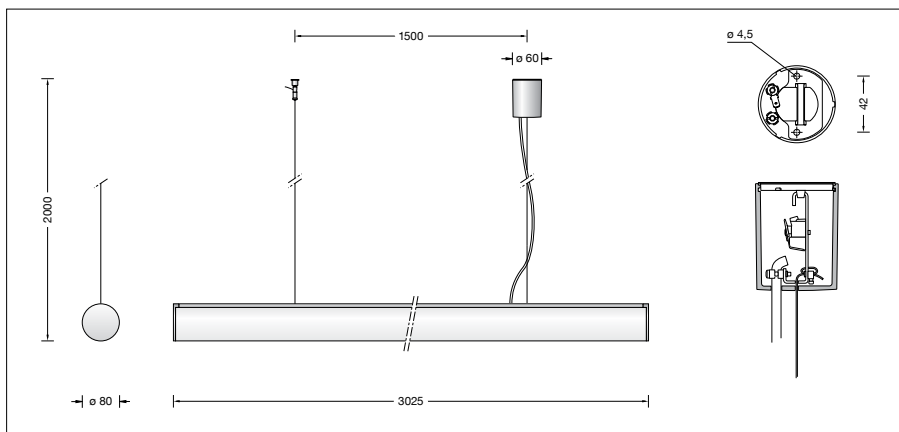
Colour rendering index CRI > 90

Module luminous flux 31110 lm

Luminaire luminous flux* 24578 lm

Luminaire luminous efficiency* 112,7 lm/W

* preliminary data

**Service life of the LED**

Ambient temperature $t_a = 25$ °C

– at 158,000h: L70B50

max. ambient temperature $t_a = 30$ °C

– at 118,000h: L70B50

Light technique

Luminaire data for the light planning program DIALux for outdoor lighting, street lighting and indoor lighting as well as luminaire data in EULUMDAT- and IES-format you will find on the BEGA web page www.bega.com.

Article No. 50 402.1

LED colour temperature optionally 3000 K or 4000 K

3000 K – Article number + **K3**

4000 K – Article number + **K4**

Finish options

- Enamel, white
- Aluminium, matt

Code number **.1**

Code number **.2**