

BEGA**50 400.2**

Pendant luminaire for indoor use

Project · Reference number

Date

Product data sheet**Application**

LED pendant luminaire · Indoor luminaire with impact-resistant synthetic cover and aluminium housing.

A luminaire with unshielded and uniform light distribution.

Bands of light of different lengths can be created by installing single luminaires in rows for linear indoor illumination.

Product description

Luminaire housing made of Aluminium, matt surface finish

Light-diffusing synthetic luminaire cover

Mounting plate with 2 fixing

holes \varnothing 4.5 mm · 42 mm spacing

Black flex suspension $5 \times 0,75$ □

Steel wire suspension

Overall length of luminaire approx. 2000 mm

Connection terminal 2.5 □

Earth conductor connection

2-pole connecting terminal for digital control

LED power supply unit

220-240 V \sim 0/50-60 Hz

DALI controllable

A basic isolation exists between power cable and control line

Safety class I

CE – Conformity mark

Weight: 3.2 kg

Inrush current

Inrush current: 53 A / 400 μ s

Maximum number of luminaires of this type per miniature circuit breaker:

B 10A: 8 luminaires

B 16A: 13 luminaires

C 10A: 8 luminaires

C 16A: 13 luminaires

Lamp

Module connected wattage 64.8 W

Luminaire connected wattage 73.6 W

Rated temperature $t_a = 25$ °C

Ambient temperature $t_{a \max} = 35$ °C

50 400.2 K3

Module designation

4x LED-0694/930 + 2x LED-0853/930

Colour temperature 3000 K

Colour rendering index CRI > 90

Module luminous flux 10050 lm

Luminaire luminous flux* 7939 lm

Luminaire luminous efficiency* 107,9 lm/W

50 400.2 K4

Module designation

4x LED-0694/940 + 2x LED-0853/940

Colour temperature 4000 K

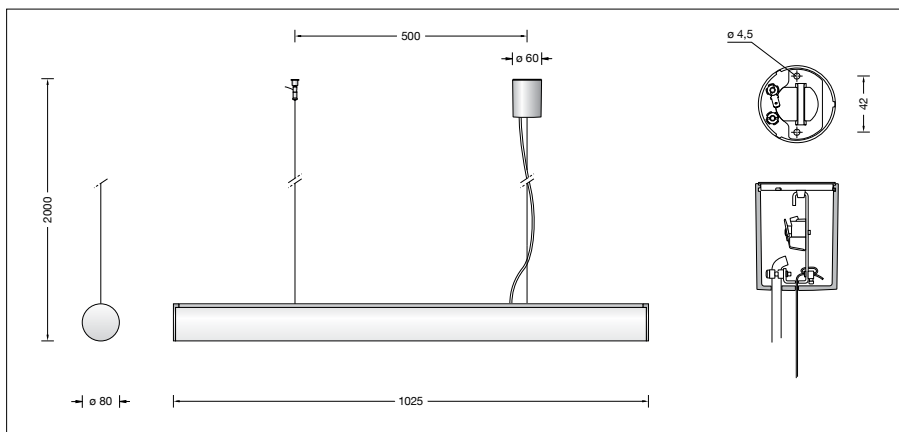
Colour rendering index CRI > 90

Module luminous flux 10370 lm

Luminaire luminous flux* 8191 lm

Luminaire luminous efficiency* 111,3 lm/W

* preliminary data

**Service life of the LED**

Ambient temperature $t_a = 25$ °C

– at 203,000h: L 70 B 50

max. ambient temperature $t_a = 35$ °C

– at 113,000h: L 70 B 50

Article No. 50 400.2

LED colour temperature optionally 3000 K or 4000 K

3000 K – Article number + **K3**

4000 K – Article number + **K4**

Finish options

- Enamel, white
- Aluminium, matt

Code number **.1**

Code number **.2**