

**BEGA****50 400.1**

Pendant luminaire for indoor use

Project · Reference number

Date

**Product data sheet****Application**

LED pendant luminaire · Indoor luminaire with impact-resistant synthetic cover and aluminium housing.

A luminaire with unshielded and uniform light distribution.

Bands of light of different lengths can be created by installing single luminaires in rows for linear indoor illumination.

**Product description**

Luminaire housing made of aluminium

White enamel finish

Light-diffusing synthetic luminaire cover

Mounting plate with 2 fixing holes  $\varnothing$  4.5 mm · 42 mm spacing

White flex suspension  $5 \times 0.75$  □

Steel wire suspension

Overall length of luminaire approx. 2000 mm

Connection terminal 2.5 □

Earth conductor connection

2-pole connecting terminal for digital control

LED power supply unit

220-240 V  $\sim$  0/50-60 Hz

DALI controllable

A basic isolation exists between power cable and control line

Safety class I

CE – Conformity mark

Weight: 3.2 kg

**Inrush current**

Inrush current: 53 A / 400  $\mu$ s

Maximum number of luminaires of this type per miniature circuit breaker:

B 10A: 8 luminaires

B 16A: 13 luminaires

C 10A: 8 luminaires

C 16A: 13 luminaires

**Lamp**

Module connected wattage 64.8 W

Luminaire connected wattage 73.6 W

Rated temperature  $t_a = 25$  °C

Ambient temperature  $t_{a \max} = 35$  °C

**50 400.1 K3**

Module designation

4x LED-0694/930 + 2x LED-0853/930

Colour temperature 3000 K

Colour rendering index CRI > 90

Module luminous flux 10050 lm

Luminaire luminous flux\* 7939 lm

Luminaire luminous efficiency\* 107,9 lm/W

**50 400.1 K4**

Module designation

4x LED-0694/940 + 2x LED-0853/940

Colour temperature 4000 K

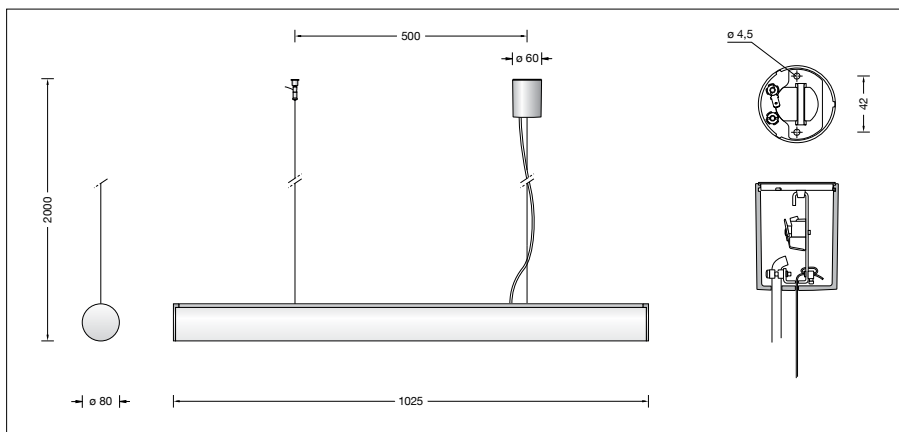
Colour rendering index CRI > 90

Module luminous flux 10370 lm

Luminaire luminous flux\* 8191 lm

Luminaire luminous efficiency\* 111,3 lm/W

\* preliminary data

**Service life of the LED**

Ambient temperature  $t_a = 25$  °C

– at 203,000h: L 70 B 50

max. ambient temperature  $t_a = 35$  °C

– at 103,000h: L 70 B 50

**Article No. 50 400.1**

LED colour temperature optionally 3000 K or 4000 K

3000 K – Article number + **K3**

4000 K – Article number + **K4**

Finish options

- Enamel, white
- Aluminium, matt

Code number **.1**

Code number **.2**