

GLASHÜTTE LIMBURG**Product data sheet****Pendant luminaire****50 242.1**

Project · Reference number

Date

Application

Pendant luminaire for direct light distribution downwards, providing additional vertical illumination. Hand-blown crystal glass and internal crystal glass diffuser, satin matt. Aluminium luminaire housing and metal canopy with steel wire suspension.

Product description

Aluminium luminaire housing and metal canopy, finish white enamel
 Hand-blown crystal glass, with screw-neck
 Internal crystal glass diffuser, satin matt
 Transparent flex suspension 5 × 0,75 □
 Steel wire suspension
 Overall length of luminaire ~3200 mm
 Plug connection
 Connecting terminal 2.5□
 Earth conductor connection
 2-pole connecting terminal for digital control
 LED power supply unit
 220-240 V ~ 0/50-60 Hz
 DALI controllable
 A basic isolation exists between power cable and control line
 Safety class I
 CE – Conformity mark
 Weight: 6.5 kg

Lamp

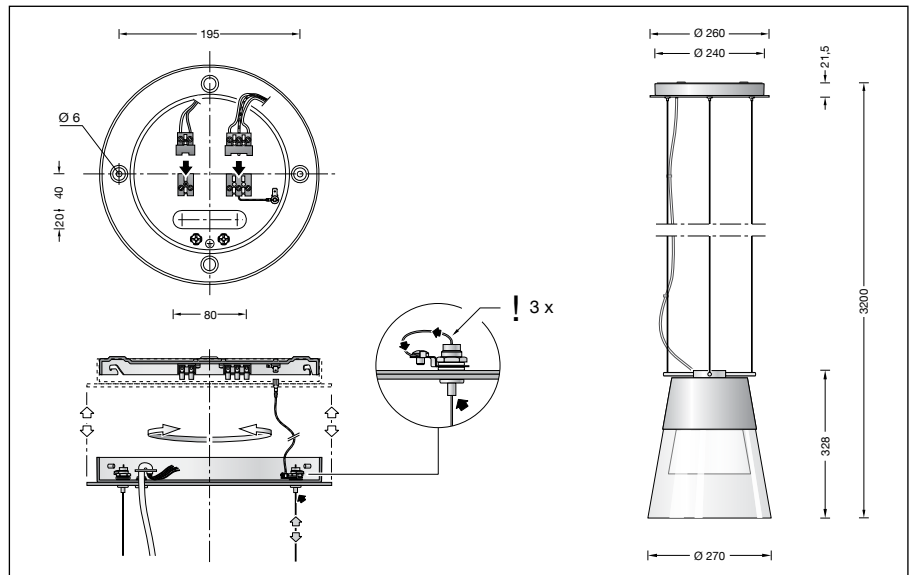
Module connected wattage	27.1 W
Luminaire connected wattage	32 W
Rated temperature	$t_a = 25 \text{ }^\circ\text{C}$
Ambient temperature	$t_{a \text{ max}} = 35 \text{ }^\circ\text{C}$

50 242.1

Module designation	LED-0654/830
Colour temperature	3000 K
Colour rendering index	$R_a > 80$
Module luminous flux	4640 lm
Luminaire luminous flux	3988 lm
Luminaire luminous efficiency	124,6 lm/W

50 242.1 K4

Module designation	LED-0654/840
Colour temperature	4000 K
Colour rendering index	$R_a > 80$
Module luminous flux	4870 lm
Luminaire luminous flux	4185 lm
Luminaire luminous efficiency	130,8 lm/W


www.glashuette-limburg.com
**Lifetime of the LED**

Ambient temperature $t_a = 15 \text{ }^\circ\text{C}$
 – at 50,000h: L90 B10
 – at > 500,000h: L70 B50

Ambient temperature $t_a = 25 \text{ }^\circ\text{C}$
 – at 50,000h: L90 B10
 – at 462,000h: L70 B50

max. ambient temperature $t_a = 35 \text{ }^\circ\text{C}$
 – at 50,000h: L80 B10
 – at 246,000h: L70 B50

Article No. 50 242.1

Colour temperature 3000 K.
 Also available with 4000 K on request.
 3000 K – article number
 4000 K – article number + **K4**

Finish options

- Enamel, white
- Polished aluminium

Code number **.1**
 Code number **.3**