

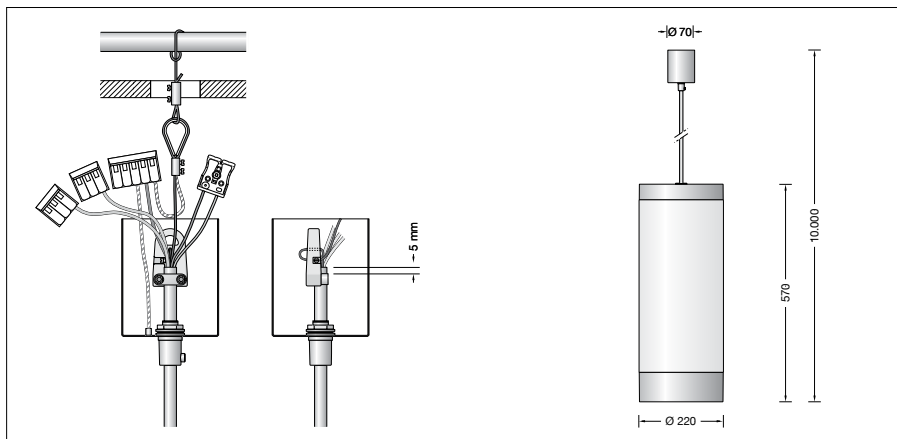
BEGA**50239.1**

Pendant luminaire · Downlight for indoor use



Project · Reference number

Date



Product data sheet

Application

Enclosed and unshielded pendant luminaire · indoor luminaire with hand-blown opal glass and metal housing.
The character of the opal glass creates a smooth and uniform light distribution in the room. A wide beam downlight creates the downward-directed light.
Luminaire with additional light emission upwards.

Product description

Luminaire housing made of aluminium and metal canopy, white enamel finish
Hand-blown opal glass, white
Reflector made of pure, high-gloss anodized aluminium
Partially matt crystal glass · Downlight
Crystal glass with light diffusing structure above
Light distribution separately controllable
White flex suspension $5 \times 0,75$ □
with 2 steel messenger wires
Overall length of luminaire approx. 10.000 mm
Connecting terminals 2.5 □
Earth conductor connection
2-pole connecting terminal for digital control
LED power supply unit
220-240 V \sim 0/50-60 Hz
DALI controllable
A basic isolation exists between power cable and control line
Safety class I
 – Safety mark
 – Conformity mark
Weight: 10.0 kg

Lamp

Rated temperature $t_a = 25$ °C
Colour rendering index $R_a > 90$
Ambient temperature $t_{a \max} = 35$ °C

Opal glass

Module connected wattage 50.8 W
Luminaire connected wattage 58 W

50 239.1

Module designation 4x LED-0660/930
Colour temperature 3000 K
Module luminous flux 7880 lm
Luminaire luminous flux 4850 lm
Luminaire luminous efficiency 83,6 lm/W

50 239.1 K4

Module designation 4x LED-0660/940
Colour temperature 4000 K
Module luminous flux 8140 lm
Luminaire luminous flux 5010 lm
Luminaire luminous efficiency 86,4 lm/W

Downlight

Module connected wattage 35.7 W
Downlight connected wattage 40.3 W

50 239.1

Module designation LED-0785/930
Colour temperature 3000 K
Module luminous flux 5150 lm
Luminaire luminous flux 4277 lm
Luminaire luminous efficiency 106,1 lm/W

50 239.1 K4

Module designation LED-0785/940
Colour temperature 4000 K
Module luminous flux 5225 lm
Luminaire luminous flux 4339 lm
Luminaire luminous efficiency 107,7 lm/W

Light emission upwards

Module connected wattage 19,4 W
Uplight connected wattage 23 W

50 239.1

Module designation 2x LED-0660/940
Colour temperature 3000 K
Module luminous flux 3110 lm
Luminaire luminous flux 2497 lm
Luminaire luminous efficiency 108,6 lm/W

50 239.1 K4

Module designation LED-0785/940
Colour temperature 4000 K
Module luminous flux 3200 lm
Luminaire luminous flux 2569 lm
Luminaire luminous efficiency 111,7 lm/W

Inrush current

Inrush current: 30 A / 200 μ s
Maximum number of luminaires of this type per miniature circuit breaker:
B 10A: 12 luminaires
B 16A: 20 luminaires

Service life of the LED

Ambient temperature $t_a = 25$ °C
– at 245,000h: L70B50

max. ambient temperature $t_a = 35$ °C
– at 200,000h: L70B50

Lighting technology

Half beam angle 85°
Luminaire data for the light planning program DIALux for outdoor lighting, street lighting and interior lighting as well as luminaire data in EULUMDAT and IES format are available on our website www.bega.com.

Article No. 50 239.1

LED colour temperature optionally 3000K or 4000K
3000 K – Article number + **K3**
4000 K – Article number + **K4**