

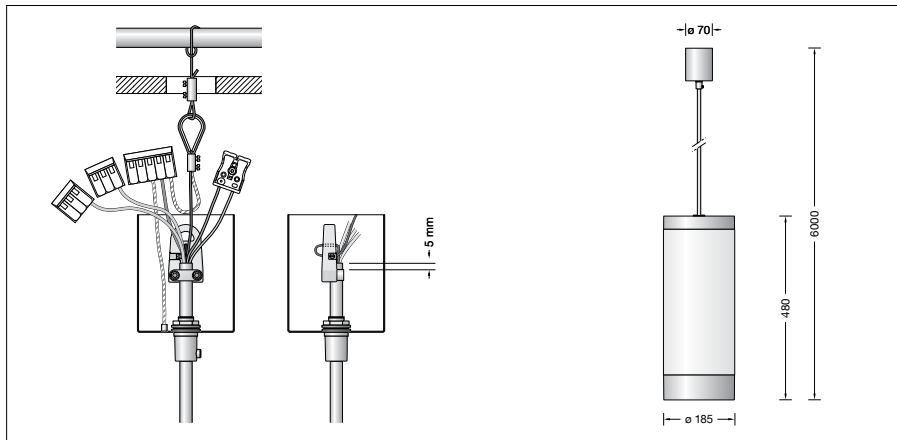
BEGA**50238.1**

Pendant luminaire for indoor use



Project · Reference number

Date



Product data sheet

Application

Enclosed and unshielded pendant luminaire · indoor luminaire with hand-blown opal glass and metal housing.

The character of the opal glass creates a smooth and uniform light distribution in the room.

A wide beam downlight creates the downward-directed light.

Luminaire with additional light emission upwards.

Product description

Aluminium luminaire housing and metal canopy, finish white enamel

Hand-blown opal glass, white

Reflector made of pure, high-gloss anodized aluminium

Partially matt crystal glass · Downlight

Crystal glass with light diffusing structure above

Light distribution separately controllable

White flex suspension $5 \times 0,75$ □

with 2 steel messenger wires

Overall length of luminaire approx. 6000 mm

Connecting terminals 2.5 □

Earth conductor connection

Connecting terminal DA DA for

digital control

LED power supply unit

220-240 V ~ 0/50-60 Hz

DALI controllable

A basic isolation exists between power cable

and control line

Safety class I

– Safety mark

CE – Conformity mark

Weight: 7.4 kg

Inrush current

Inrush current: 20 A / 400 μs

Maximum number of luminaires of this type per miniature circuit breaker:

B10A: 9 luminaires

B16A: 15 luminaires

C10A: 16 luminaires

C16A: 25 luminaires

Lamp

Rated temperature

$t_a = 25$ °C

Colour rendering index

$R_a > 90$

Ambient temperature

$t_{a \max} = 25$ °C

Lifetime of the LED

Ambient temperature $t_a = 15$ °C

– at 50,000 h: L90B10

– at 450,000 h: L70B50

Opal glass

Module connected wattage

27.2 W

Luminaire connected wattage

32 W

max. ambient temperature $t_a = 25$ °C

– at 50,000 h: L90B10

– at 380,000 h: L70B50

50 238.1

Module designation

4x LED-0660/930

Colour temperature

3000 K

Module luminous flux

4480 lm

Luminaire luminous flux

2798 lm

Luminaire luminous efficiency

87,4 lm/W

50 238.1 K4

Module designation

4x LED-0660/940

Colour temperature

4000 K

Module luminous flux

4620 lm

Luminaire luminous flux

2886 lm

Luminaire luminous efficiency

90,2 lm/W

Downlight

Module connected wattage

17 W

Downlight connected wattage

19.5 W

50 238.1

Module designation

LED-0678/930

Colour temperature

3000 K

Module luminous flux

2450 lm

Luminaire luminous flux

1846 lm

Luminaire luminous efficiency

94,7 lm/W

50 238.1 K4

Module designation

LED-0678/940

Colour temperature

4000 K

Module luminous flux

2520 lm

Luminaire luminous flux

1900 lm

Luminaire luminous efficiency

97,4 lm/W

Light emission upwards

Module connected wattage

9,4 W

Uplight connected wattage

11 W

50 238.1

Module designation

2x LED-0660/940

Colour temperature

3000 K

Module luminous flux

1580 lm

Luminaire luminous flux

1448 lm

Luminaire luminous efficiency

131,6 lm/W

50 238.1 K4

Module designation

LED-0678/940

Colour temperature

4000 K

Module luminous flux

1630 lm

Luminaire luminous flux

1494 lm

Luminaire luminous efficiency

135,8 lm/W