

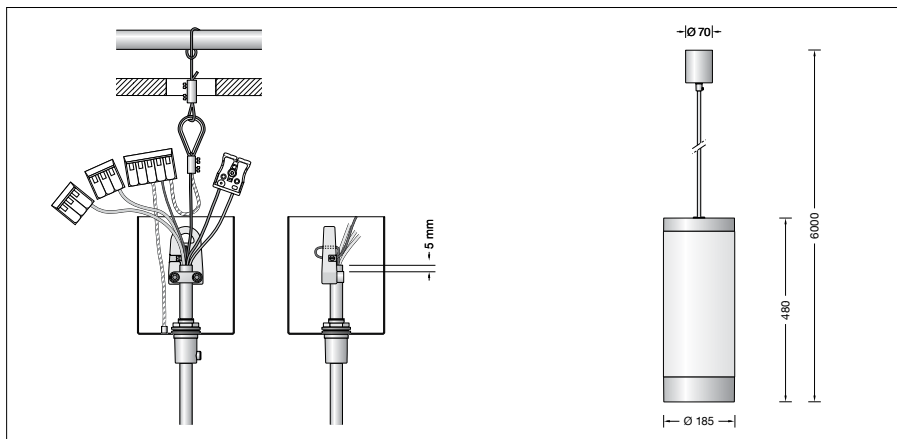
**BEGA****50 236.1**

Pendant luminaire for indoor use



Project · Reference number

Date



## Product data sheet

**Application**

Enclosed and unshielded pendant luminaire · indoor luminaire with hand-blown opal glass and metal housing.

The character of the opal glass creates a smooth and uniform light distribution in the room.

A wide beam downlight creates the downward-directed light.

**Product description**

Luminaire housing made of aluminium and metal canopy, white enamel finish

Hand-blown opal glass, white

Reflector made of pure, high-gloss anodized aluminium

Partially matt crystal glass · Downlight

Light distribution separately controllable

White flex suspension  $5 \times 0,75 \square$

with 2 steel messenger wires

Overall length of luminaire approx. 6000 mm

Connecting terminals  $2,5 \square$

Earth conductor connection

2-pole connecting terminal for

digital control

LED power supply unit

220-240 V  $\sim$  0/50-60 Hz

DALI controllable

A basic isolation exists between power cable and control line

Safety class I

– Safety mark

– Conformity mark

Weight: 6.8 kg

**Lamp****Opal glass**

Module connected wattage 27.2 W

Luminaire connected wattage 32 W

Rated temperature  $t_a = 25 \text{ }^\circ\text{C}$

Ambient temperature  $t_{a \text{ max}} = 30 \text{ }^\circ\text{C}$

**50 236.1**

Module designation 4x LED-0660/930

Colour temperature 3000 K

Colour rendering index  $R_a > 90$

Module luminous flux 4480 lm

Luminaire luminous flux 2800 lm

Luminaire luminous efficiency 87,5 lm/W

**50 236.1 K4**

Module designation 4x LED-0660/940

Colour temperature 4000 K

Colour rendering index  $R_a > 90$

Module luminous flux 4620 lm

Luminaire luminous flux 2888 lm

Luminaire luminous efficiency 90,2 lm/W

**Downlight**

Module connected wattage 17 W

Downlight connected wattage 20 W

Rated temperature  $t_a = 25 \text{ }^\circ\text{C}$

Ambient temperature  $t_{a \text{ max}} = 30 \text{ }^\circ\text{C}$

**50 236.1**

Module designation LED-0678/930

Colour temperature 3000 K

Colour rendering index  $R_a > 90$

Module luminous flux 2450 lm

Luminaire luminous flux 1846 lm

Luminaire luminous efficiency 92,3 lm/W

**50 236.1 K4**

Module designation LED-0678/940

Colour temperature 4000 K

Colour rendering index  $R_a > 90$

Module luminous flux 2520 lm

Luminaire luminous flux 1900 lm

Luminaire luminous efficiency 95 lm/W

**Service life of the LED**

Ambient temperature  $t_a = 25 \text{ }^\circ\text{C}$

– at > 500,000h: L70B50

max. ambient temperature  $t_a = 30 \text{ }^\circ\text{C}$

– at 279,000h: L70B50

**Inrush current**

Inrush current: 20 A / 400  $\mu\text{s}$

Maximum number of luminaires of this type per miniature circuit breaker:

B 10A: 9 luminaires

B 16A: 15 luminaires

C 10A: 16 luminaires

C 16A: 25 luminaires

**Lighting technology**

Half beam angle  $90^\circ$

Luminaire data for the light planning program DIALux for outdoor lighting, street lighting and interior lighting as well as luminaire data in EULUMDAT and IES format are available on our website [www.bega.com](http://www.bega.com).

**Article No. 50 236.1**

LED colour temperature optionally 3000 K or 4000 K

3000 K – Article number + **K3**

4000 K – Article number + **K4**