

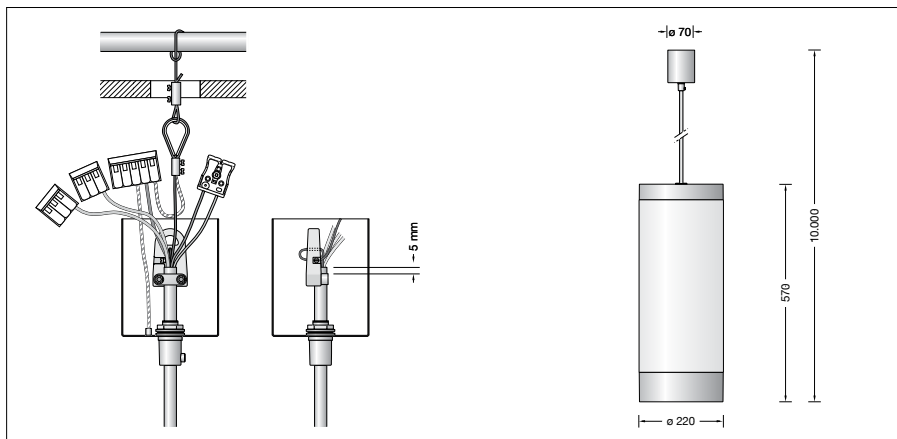
BEGA**50 235.1**

Pendant luminaire for indoor use



Project · Reference number

Date



Product data sheet

Application

Enclosed and unshielded pendant luminaire · indoor luminaire with hand-blown opal glass and metal housing.

The character of the opal glass creates a smooth and uniform light distribution in the room.

A wide beam downlight creates the downward-directed light.

Product description

Aluminium luminaire housing and metal canopy, finish white enamel

Hand-blown opal glass, white

Reflector made of pure, high-gloss anodized aluminium

Partially matt crystal glass · Downlight

Light distribution separately controllable

White flex suspension $5 \times 0,75$ □

with 2 steel messenger wires

Overall length of luminaire approx. 10.000 mm

Connecting terminals 2,5 □

Earth conductor connection

2-pole connecting terminal for

digital control

LED power supply unit

220-240 V ~ 0/50-60 Hz

DALI controllable

A basic isolation exists between power cable and control line

Safety class I

– Safety mark

– Conformity mark

Weight: 7.9 kg

Lamp**Opal glass**

Module connected wattage 25.4 W

Luminaire connected wattage 30 W

Rated temperature $t_a = 25$ °C

Ambient temperature $t_{a \max} = 35$ °C

50 235.1

Module designation 2x LED-0660/930

Colour temperature 3000 K

Colour rendering index $R_a > 90$

Module luminous flux 3940 lm

Luminaire luminous flux 2235 lm

Luminaire luminous efficiency 74,5 lm/W

50 235.1 K4

Module designation 2x LED-0660/940

Colour temperature 4000 K

Colour rendering index $R_a > 90$

Module luminous flux 4070 lm

Luminaire luminous flux 2309 lm

Luminaire luminous efficiency 77 lm/W

Downlight

Module connected wattage 35.7 W

Downlight connected wattage 40.3 W

Rated temperature $t_a = 25$ °C

Ambient temperature $t_{a \max} = 35$ °C

50 235.1

Module designation LED-0785/930

Colour temperature 3000 K

Colour rendering index $R_a > 90$

Module luminous flux 5150 lm

Luminaire luminous flux 4277 lm

Luminaire luminous efficiency 106,1 lm/W

50 235.1 K4

Module designation LED-0785/940

Colour temperature 4000 K

Colour rendering index $R_a > 90$

Module luminous flux 5225 lm

Luminaire luminous flux 4340 lm

Luminaire luminous efficiency 107,7 lm/W

Lifetime of the LED

Ambient temperature $t_a = 15$ °C

– at 50,000 h: L90B50

– at 300,000 h: L70B50

Ambient temperature $t_a = 25$ °C

– at 50,000 h: L80B10

– at 250,000 h: L70B50

max. ambient temperature $t_a = 35$ °C

– at 50,000 h: L80B10

– at 210,000 h: L70B50

Inrush current

Inrush current: 30 A / 200 μ s

Maximum number of luminaires of this type per miniature circuit breaker:

B 10A: 12 luminaires

B 16A: 20 luminaires

Lighting technology

Half beam angle 85°

Luminaire data for the light planning program DIALux for outdoor lighting, street lighting and interior lighting as well as luminaire data in EULUMDAT and IES format are available on our website www.bega.com.

Article No. 50 235.1

LED colour temperature optionally 3000K or 4000K

3000 K – Article number + **K3**

4000 K – Article number + **K4**