

**BEGA****50 217.2**

Ceiling and wall luminaire for indoor use



Project · Reference number

Date

## Product data sheet

### Application

LED ceiling and wall luminaire · indoor luminaire made of impact resistant synthetic diffuser and aluminium housing.

Luminaire with free-radiating and uniform light distribution.

By arraying single luminaires in line light bands of different length can be arranged for linear illumination in interior.

### Product description

Luminaire made of aluminium, matt surface finish

Light-diffusing synthetic luminaire cover

3 elongated fixing holes

Width 5.5 mm

Connection terminal 2.5<sup>□</sup>

Earth conductor connection

2-pole connecting terminal for digital control

LED power supply unit

220-240 V ~ 0/50-60 Hz

DALI controllable

A basic isolation exists between power cable and control line

Safety class I

– Safety mark

**CE** – Conformity mark

Weight: 3.9 kg

### Lamp

Module connected wattage 52.8 W

Luminaire connected wattage 61 W

Rated temperature  $t_a = 25\text{ °C}$

Ambient temperature  $t_{a\text{ max}} = 45\text{ °C}$

### 50 217.2 K3

Module designation 6x LED-0694/930

Colour temperature 3000 K

Colour rendering index CRI > 90

Module luminous flux 8220 lm

Luminaire luminous flux 6905 lm

Luminaire luminous efficiency 113,2 lm/W

### 50 217.2 K4

Module designation 6x LED-0694/940

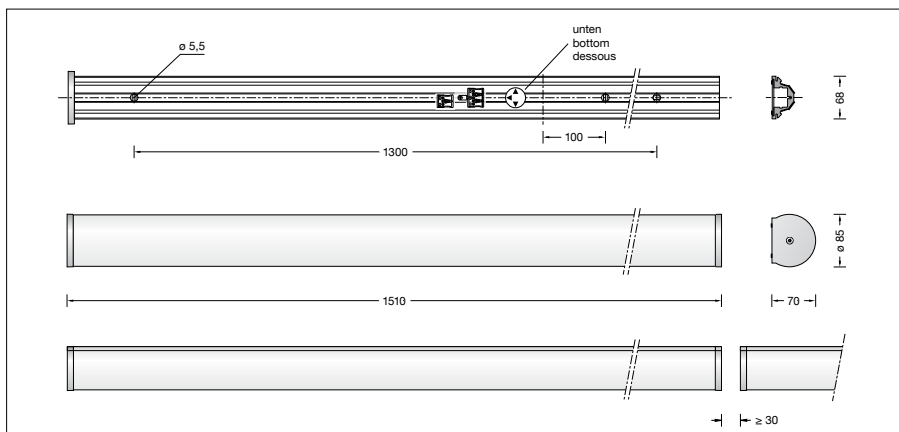
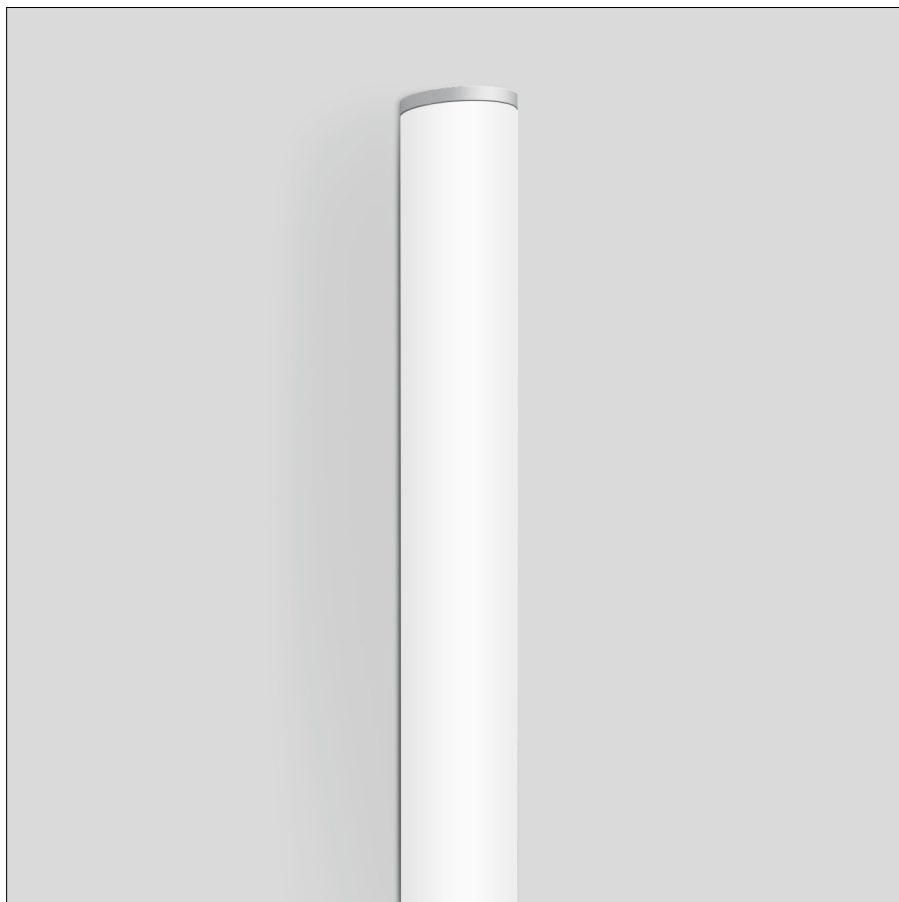
Colour temperature 4000 K

Colour rendering index CRI > 90

Module luminous flux 8490 lm

Luminaire luminous flux 7131 lm

Luminaire luminous efficiency 116,9 lm/W



### Service life of the LED

Ambient temperature  $t_a = 25\text{ °C}$

– at 298,000h: L70B50

max. ambient temperature  $t_a = 45\text{ °C}$

– at 92,000h: L70B50

### Article No. 50 217.2

LED colour temperature optionally 3000 K or 4000 K

3000 K – Article number + **K3**

4000 K – Article number + **K4**

Finish options

- Enamel, white
- Aluminium, matt

Code number **.1**

Code number **.2**