

BEGA**50 217.1**

Ceiling and wall luminaire for indoor use



Project · Reference number

Date

Product data sheet

Application

LED ceiling and wall luminaire · indoor luminaire made of impact resistant synthetic diffuser and aluminium housing.

Luminaire with free-radiating and uniform light distribution.

By arraying single luminaires in line light bands of different length can be arranged for linear illumination in interior.

Product description

Luminaire made of Aluminium, finish white enamel

Light-diffusing synthetic luminaire cover

3 elongated fixing holes

Width 5.5 mm

Connection terminal 2.5[□]

Earth conductor connection

2-pole connecting terminal for digital control

LED power supply unit

220-240 V \sim 0/50-60 Hz

DALI controllable

A basic isolation exists between power cable and control line

Safety class I

– Safety mark

CE – Conformity mark

Weight: 3.9 kg

Lamp

Module connected wattage 52.8 W

Luminaire connected wattage 61 W

Rated temperature $t_a = 25\text{ °C}$

Ambient temperature $t_{a\text{ max}} = 45\text{ °C}$

50 217.1 K3

Module designation 6x LED-0694/930

Colour temperature 3000 K

Colour rendering index CRI > 90

Module luminous flux 8220 lm

Luminaire luminous flux 6905 lm

Luminaire luminous efficiency 113,2 lm/W

50 217.1 K4

Module designation 6x LED-0694/940

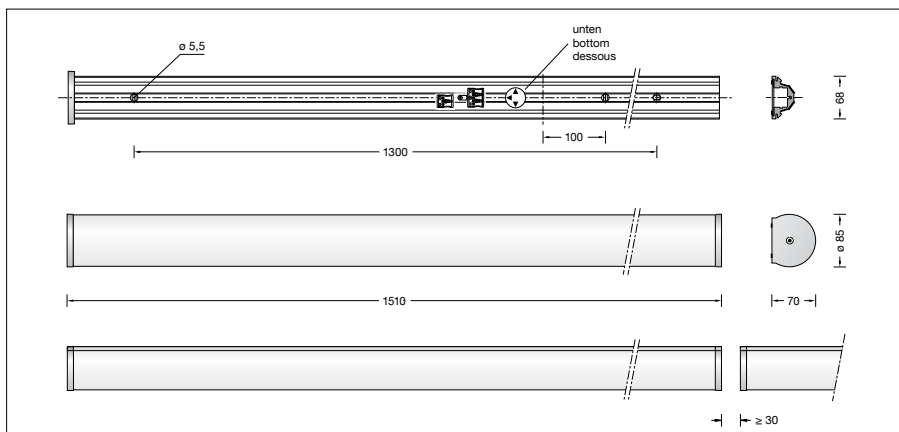
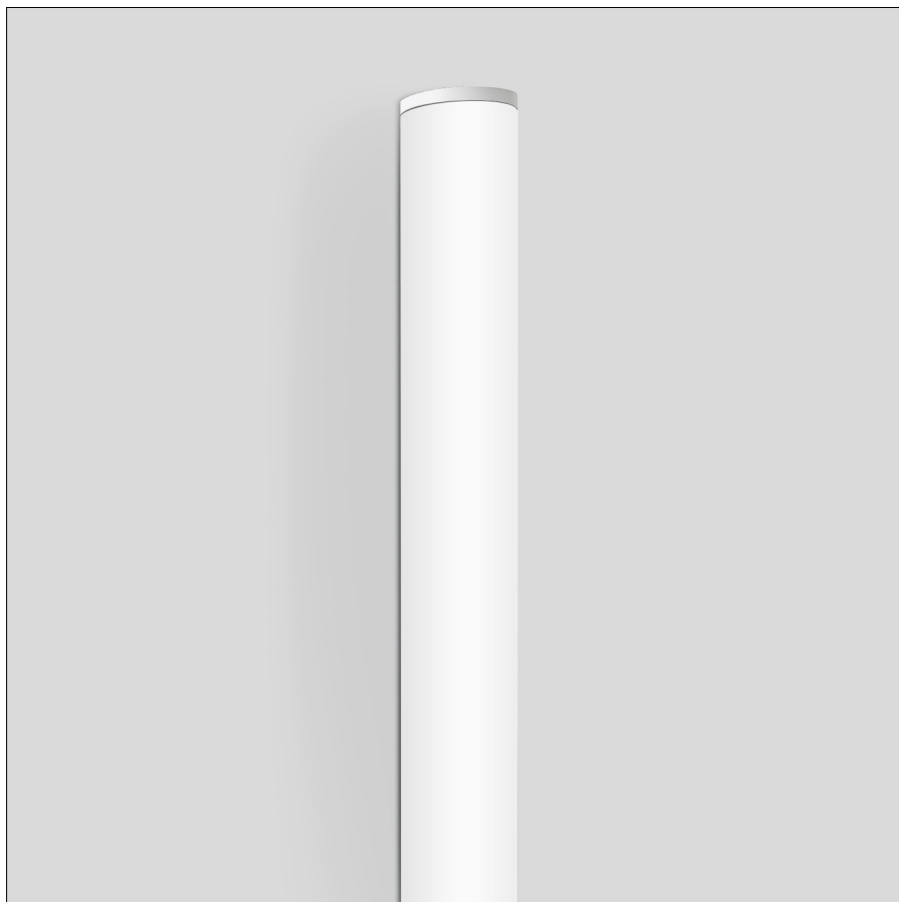
Colour temperature 4000 K

Colour rendering index CRI > 90

Module luminous flux 8490 lm

Luminaire luminous flux 7131 lm

Luminaire luminous efficiency 116,9 lm/W



Service life of the LED

Ambient temperature $t_a = 25\text{ °C}$

– at 298,000h: L70B50

max. ambient temperature $t_a = 45\text{ °C}$

– at 92,000h: L70B50

Article No. 50 217.1

LED colour temperature optionally 3000 K or 4000 K

3000 K – Article number + **K3**

4000 K – Article number + **K4**

Finish options

- Enamel, white
- Aluminium, matt

Code number **.1**

Code number **.2**